

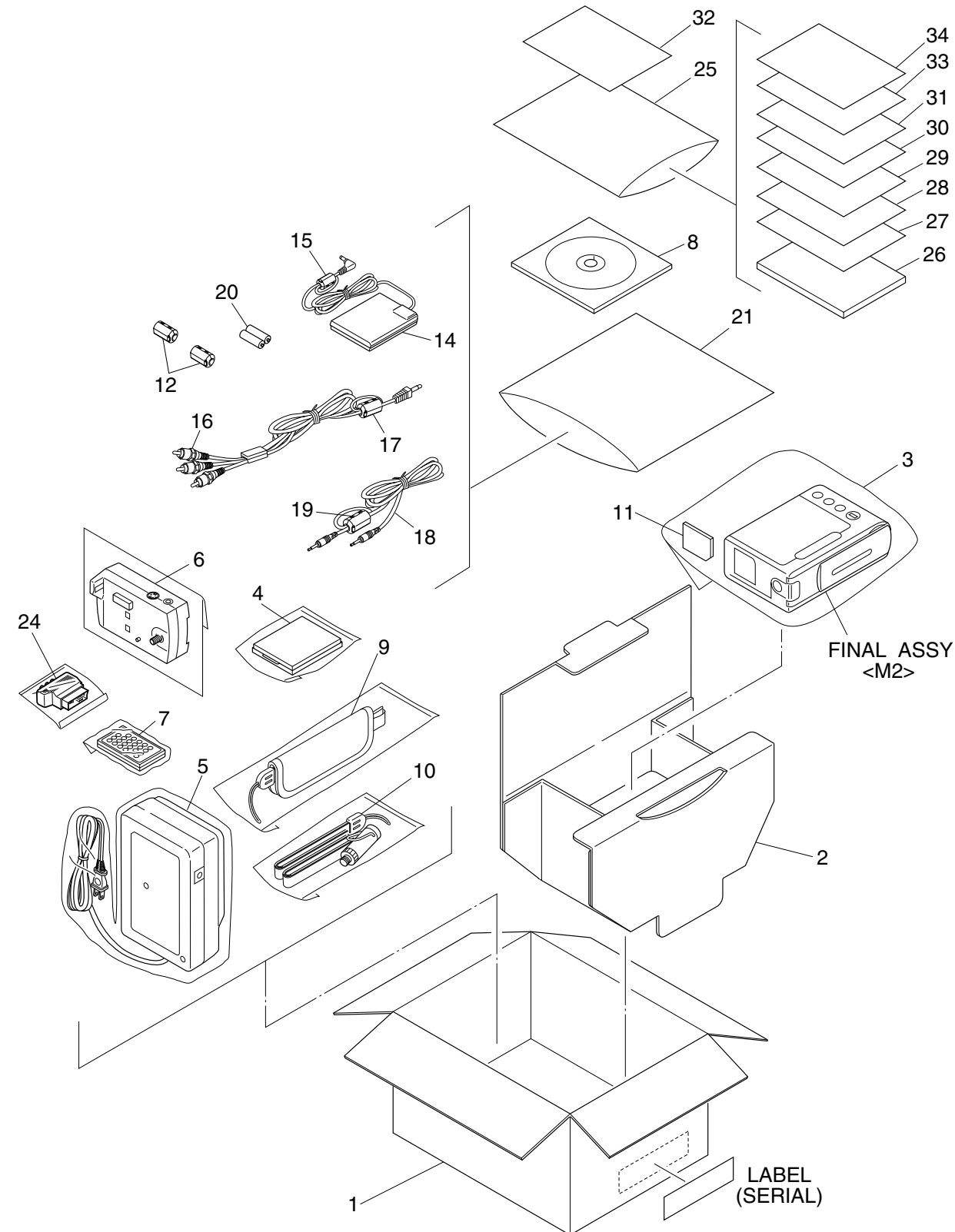
SECTION 5 PARTS LIST

SAFETY PRECAUTION

Parts identified by the \triangle symbol are critical for safety. Replace only with specified part numbers.

5.1 PACKING AND ACCESSORY ASSEMBLY <M1>

The instruction manual to be provided with this product will differ according to the destination.



\triangle REF No. PART No. PART NAME, DESCRIPTION

PACKING AND ACCESSORY ASSEMBLY <M1>

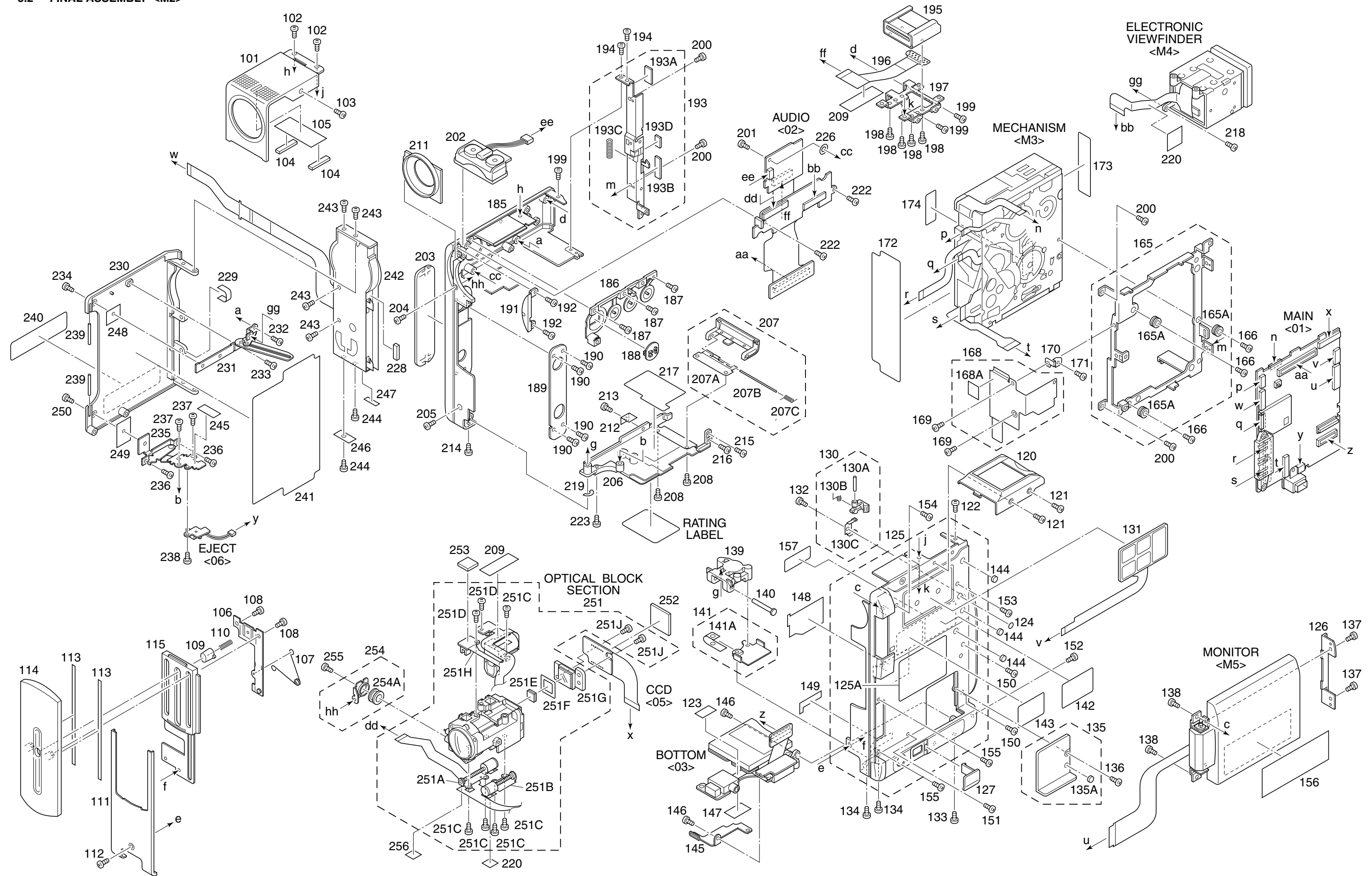
| | | |
|----------------|--------------|---------------------------------------|
| 1 | LY32303-001A | PACKING CASE,C |
| | LY32303-002A | PACKING CASE,A |
| | LY32303-003A | PACKING CASE,D |
| | LY32303-004A | PACKING CASE,B |
| 2 | LY20763-001A | CUSHION |
| 3 | LY30023-003A | POLY BAG |
| \triangle 4 | LY32203-001A | BATTERY PACK,BN-V107U,C,D |
| \triangle 4 | LY32203-003A | BATTERY PACK,BN-V107U,A,B |
| \triangle 5 | LY20754-002B | AC POWER ADAPTER/CHARER,AA-V100EG,A,C |
| \triangle 5 | LY20754-004B | AC POWER ADAPTER/CHARER,AA-V100EK,B,D |
| 6 | LY20755-003A | DOCKING STATION,CU-V507U |
| 7 | LY20750-001A | REMOTE CONTROL UNIT,RM-V717U |
| 8 | LY32210-004A | CD ROM |
| 9 | LY20762-001B | GRIP BELT |
| 10 | LY20765-001B | STRAP |
| 11 | QAM0342-002 | MEMORY CARD |
| 12 | QQR0491-002 | CORE FILTER,X2 |
| 14 | LY32226-001A | DC CORD,C,D |
| | LY32226-002A | DC CORD,A,B |
| 15 | QQR0917-002 | CORE FILTER |
| 16 | QAM0347-001 | CABLE ASSY,AUDIO/VIDEO CABLE |
| 17 | QQR0918-002 | CORE FILTER |
| 18 | PEAC0428-150 | CABLE ASSY,EDITING CABLE |
| 19 | QQR0491-002 | CORE FILTER |
| 20 | - | BATTERY,AAA(R03),X2 |
| 21 | QPA01703005 | POLY BAG |
| 24 | QAM0302-001 | ADAPTOR PLUG,CABLE ADAPTER |
| 25 | QPA02003506 | POLY BAG,A,C |
| | YQM30061-3 | POLY BAG,B,D |
| \triangle 26 | LYT0796-001A | INST.BOOK(EN),B,D |
| \triangle 26 | LYT0796-002A | INST.BOOK(GE),A,C |
| \triangle 26 | LYT0796-003A | INST.BOOK(FR),A,C |
| \triangle 26 | LYT0796-004A | INST.BOOK(DU),A,C |
| \triangle 26 | LYT0796-005A | INST.BOOK(SP),A,C |
| \triangle 26 | LYT0796-006A | INST.BOOK(IT),A,C |
| \triangle 26 | LYT0796-007A | INST.BOOK(DA),A,C |
| \triangle 26 | LYT0796-008A | INST.BOOK(FI),A,C |
| \triangle 26 | LYT0796-009A | INST.BOOK(SW),A,C |
| \triangle 26 | LYT0796-010A | INST.BOOK(NO),A,C |
| \triangle 26 | LYT0796-011A | INST.BOOK(RU),A,C |
| \triangle 26 | LYT0796-012A | INST.BOOK(CZ),A,C |
| \triangle 26 | LYT0796-013A | INST.BOOK(PO),A,C |
| \triangle 26 | LYT0796-014A | INST.BOOK(HU),A,C |
| \triangle 27 | LYT0760-001A | INST.BOOK(SOFT.5LANG),A |
| | LYT0760-001B | INST.BOOK(SOFT.5LANG),C |
| \triangle 27 | LYT0760-002B | INST.BOOK(SOFT.5LANG),A,C |
| \triangle 27 | LYT0760-003B | INST.BOOK(SOFT.RU),A,C |
| \triangle 27 | LYT0761-001A | INST.BOOK(SOFT.EN),B,D |
| 28 | LYT0378-003A | SHEET(AGREMENT) |
| 29 | LYT0760-004A | SHEET(ATT.) |
| 30 | LYT0796-015A | SHEET(CORE) |
| 31 | LYT0796-016A | SHEET(ATT.MIC) |
| 32 | BT-54008-2 | GUARANTY CARD,B,D |
| | BT-54013-2 | WARRANTY CARD,A,C |
| 33 | LYT0194-001B | Q.CARD(JUK),B,D |
| 34 | LYT0760-005A | SHEET(CORRECT.),A,B |

• INSTRUCTIONS

EN ENGLISH
GE GERMAN
FR FRENCH
DU DUTCH
SP SPANISH
IT ITALIAN
DA DANISH
FI FINNISH
SW SWEDISH
NO NORWEGIAN
RU RUSSIAN
CZ CZECH
PO POLISH
HU HUNGARIAN

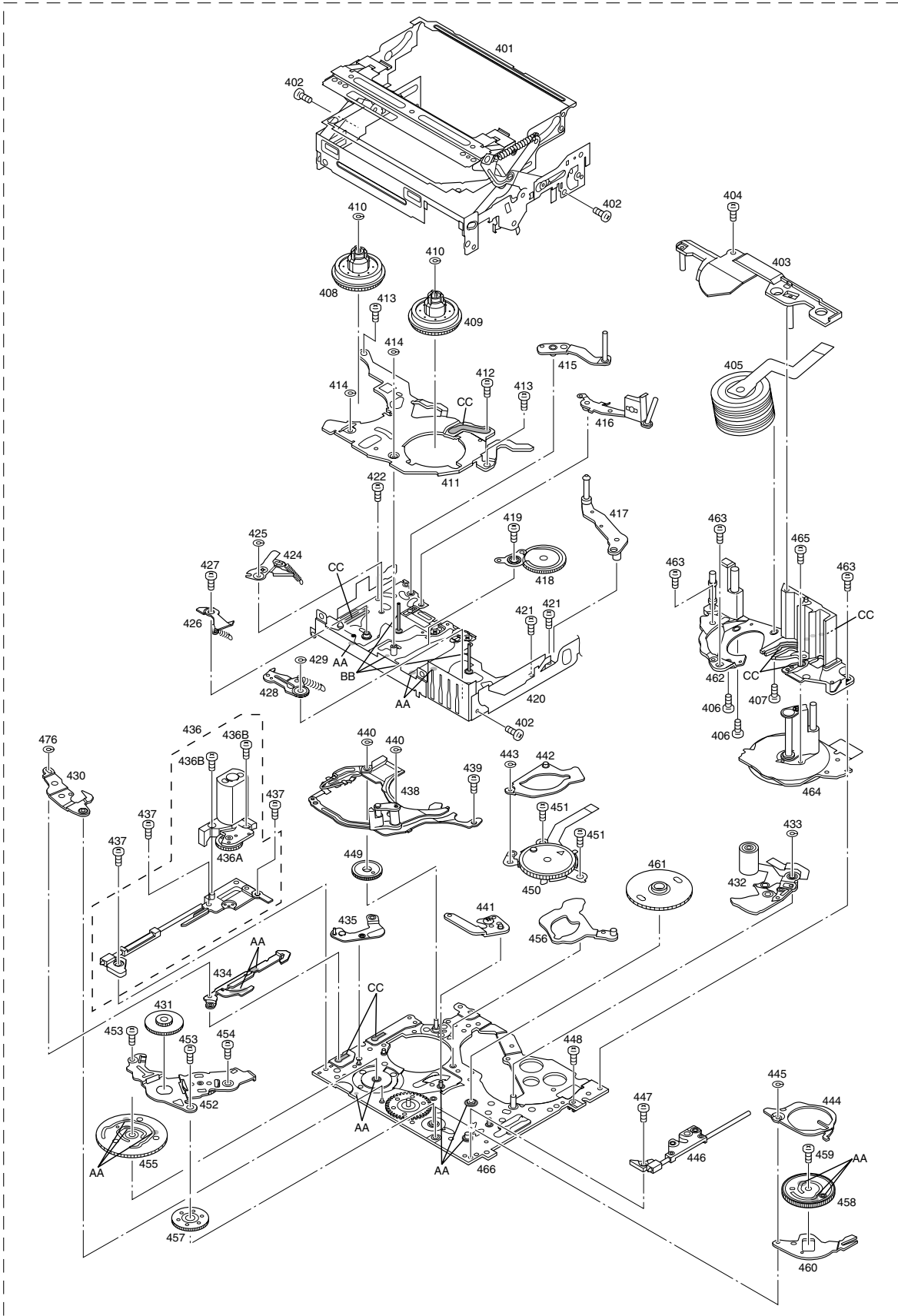
| MODEL | MARK |
|-----------|------|
| GR-DVP1EG | A |
| GR-DVP1EK | B |
| GR-DVP3EG | C |
| GR-DVP3EK | D |

5.2 FINAL ASSEMBLY <M2>



5.3 MECHANISM ASSEMBLY <M3>

400



| Classification | Part No. | Symbol in drawing |
|-----------------|------------|-------------------|
| Grease | KYODO-SH-P | AA |
| Oil | YTU94027 | BB |
| Grease (HANARL) | RX-410R | CC |

NOTE:The section marked in **AA** and **BB**, **CC** indicate lubrication and greasing areas.

▲ REF No. PART No. PART NAME, DESCRIPTION

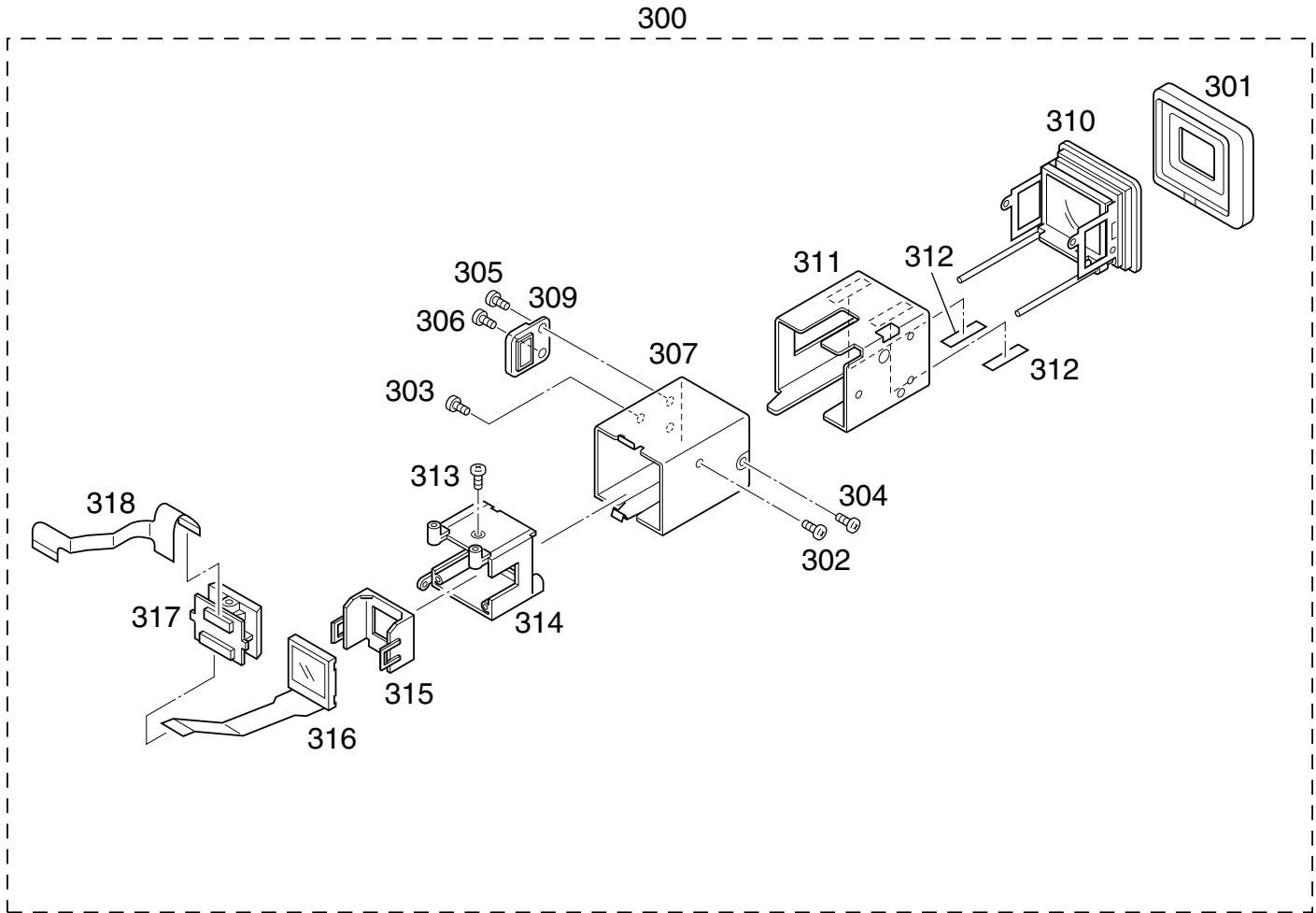
MECHANISM ASSEMBLY <M3>

| | | |
|------|--------------|-----------------------------|
| 400 | YMA0029B | MECHA(A)ASSY |
| 401 | LY31543-002C | CASSETTE HOUSING ASSY |
| 402 | YQ43893-8 | MINI SCREW,X3 |
| 403 | LY31542-001E | UPPER BASE ASSY |
| 404 | YQ43893 | MINI SCREW |
| 405 | YDV2096B | DRUM ASSY |
| 406 | LY42820-001A | DAMPER SCREW ASSY,X2 |
| 407 | LY42820-002A | DAMPER SCREW ASSY |
| 408 | LY31538-001B | REEL DISK ASSY |
| 409 | LY31538-002B | REEL DISK ASSY |
| 410 | YQ44246 | SLIT WASHER,X2 |
| 411 | LY10217-001A | REEL COVER ASSY |
| 412 | LY42120-001A | MINI SCREW |
| 413 | LY41945-003A | MINI SCREW,X2 |
| 414 | YQ44246 | SLIT WASHER,X2 |
| 415 | LY42025-001A | TENSSION ARM ASSY |
| 416 | LY31535-001B | SLANT POLE ARM ASSY |
| 417 | LY42031-001C | TU ARM ASSY |
| 418 | LY31531-001B | SWING ARM ASSY |
| 419 | YQ43893 | MINI SCREW |
| 420 | LY20530-002B | SLIDE DECK FINAL ASSY |
| 421 | YQ43893 | MINI SCREW,X2 |
| 422 | LY43023-001A | MINI SCREW |
| 424 | LY31533-001C | PAD ARM ASSY |
| 425 | YQ44246 | SLIT WASHER |
| 426 | LY42014-001A | SUP BRAKE ASSY |
| 427 | YQ43893 | MINI SCREW |
| 428 | LY42016-001A | TU BRAKE ASSY |
| 429 | YQ44246 | SLIT WASHER |
| 430 | LY41959-001A | TENSION CONTROL LEVER ASSY |
| 431 | LY31525-001A | CENTER GEAR |
| 432 | LY31516-001B | PINCH ROLLER ARM FINAL ASSY |
| 433 | YQ44246 | SLIT WASHER |
| 434 | LY41956-001B | TENSION CONTROL PLATE ASSY |
| 435 | LY41962-001B | BRAKE CONTROL LEVER ASSY |
| 436 | LY20525-002A | MONITOR BRACKET ASSY |
| 436A | QAR0138-001 | LOADING MOTOR |
| 436B | LY41940-001A | TAPPING SCREW,X2 |
| 437 | YQ43893 | MINI SCREW,X3 |
| 438 | LY20528-001G | GUIDE RAIL ASSY |
| 439 | YQ43893 | MINI SCREW |
| 440 | YQ44246 | SLIT WASHER,X2 |
| 441 | LY31498-002B | SLIDE LEVER2 ASSY |
| 442 | LY41965-001A | LOADING PLATE ASSY |
| 443 | YQ44246 | SLIT WASHER |
| 444 | LY31522-001A | EJECT LEVER |
| 445 | YQ44246 | SLIT WASHER |
| 446 | LY41929-001A | BASE R ASSY |
| 447 | YQ43893 | MINI SCREW |
| 448 | LY41945-001A | MINI SCREW |
| 449 | LY41930-001A | MODE GEAR |
| 450 | QSW0876-002 | ROTARY ENCODER |
| 451 | YQ43893 | MINI SCREW,X2 |
| 452 | LY31524-001A | GEAR COVER ASSY |
| 453 | YQ43893 | MINI SCREW,X2 |
| 454 | YQ43893-4 | MINI SCREW |
| 455 | LY41948-001A | MAIN CAM ASSY |
| 456 | LY41941-001A | SLIDE ARM ASSY |
| 457 | LY41951-001A | CONNECT GEAR 2 |

▲ REF No. PART No. PART NAME, DESCRIPTION

| | | |
|-----|--------------|------------------|
| 458 | LY41954-001A | SUB CAM ASSY |
| 459 | LY42120-001A | MINI SCREW |
| 460 | LY41952-001A | CNTLROL ARM ASSY |
| 461 | LY31523-001A | REEL GEAR 1 |
| 462 | LY31508-001B | DRUM BASE ASSY |
| 463 | QYSPSPU1425M | SCREW,X3 |
| 464 | QAR0142-001 | CAPSTAN MOTOR |
| 465 | YQ43893 | MINI SCREW |
| 466 | LY10210-001C | MAIN DECK ASSY |
| 476 | YQ44246 | SLIT WASHER |

5.4 ELECTRONIC VIEWFINDER ASSEMBLY <M4>



Δ REF No. PART No. PART NAME, DESCRIPTION

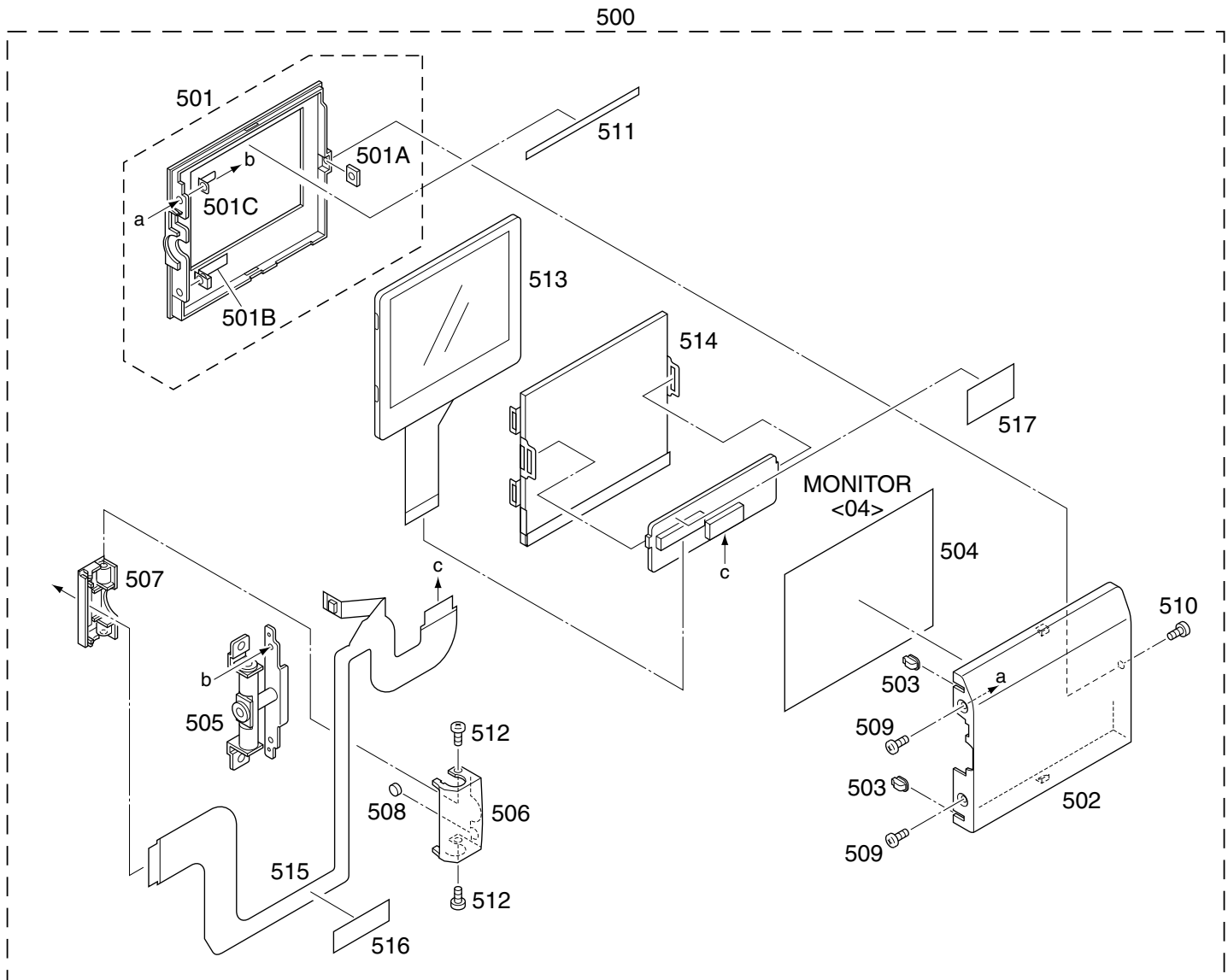
ELECTRONIC VIEWFINDER ASSEMBLY <M4>

| | | |
|-----|--------------|---------------|
| 300 | LY32231-001D | VF UNIT |
| 301 | PTY32231-001 | EYE CUP |
| 302 | LY30018-005A | SPECIAL SCREW |
| 303 | LY30018-005A | SPECIAL SCREW |
| 304 | LY30018-005A | SPECIAL SCREW |
| 305 | LY30019-036A | SPECIAL SCREW |
| 306 | LY30019-036A | SPECIAL SCREW |

Δ REF No. PART No. PART NAME, DESCRIPTION

| | | |
|-----|--------------|--------------------|
| 307 | PTY32231-011 | CASE ASSY |
| 309 | PTY32231-012 | CAP(VF) |
| 310 | PTY32231-041 | EYE PIECE SUB ASSY |
| 311 | PTY32231-031 | GUIDE(VF) |
| 312 | LY30029-0M2A | SPACER(A),X2 |
| 313 | LY30018-0D4A | SPECIAL SCREW |
| 314 | PTY32231-021 | FRANE(VF) |
| 315 | PTY32231-051 | HOLDER(LCD) |
| 316 | QLD0117-002 | LCD MODULE |
| 317 | PTY32231-061 | B/L PWB |
| 318 | PTY32231-071 | FPC(VF) |

5.5 MONITOR ASSEMBLY <M5>



| # | △ REF No. | PART No. | PART NAME, DESCRIPTION |
|------------------------------------|-----------|---------------|------------------------|
| ***** | | | |
| MONITOR ASSEMBLY <M5> | | | |
| △ | 500 | LYH20289-003B | MONITOR ASSY,C,D |
| △ | | LYH20289-004B | MONITOR ASSY,A,B |
| | 501 | LY32263-002B | MONITOR CASE ASSY,A,B |
| | | LY32263-001E | MONITOR CASE ASSY,C,D |
| | 501A | LY40162-001A | BRACKET |
| | 501B | LY43202-001A | EARTH(MONI.2) |
| | 501C | LY43077-001B | EARTH(MONI.) |
| △ | 502 | LY10297-003B | MONITOR COVER,A,B |
| △ | | LY10297-001C | MONITOR COVER,C,D |
| | 503 | LY43078-001B | RIB(MONI.),X2 |
| | 504 | LY43085-001A | SHEET(M.COVER) |
| | 505 | LY32230-001B | HINGE ASSY |
| | 506 | LY32267-001A | HINGE COVER(U),C,D |

| # | △ REF No. | PART No. | PART NAME, DESCRIPTION |
|---|-----------|--------------|------------------------|
| | | LY32267-002A | HINGE COVER(U),A,B |
| | 507 | LY32268-001A | HINGE COVER(L),C,D |
| | | LY32268-002A | HINGE COVER(L),A,B |
| | 508 | LY42355-001A | MAGNET |
| | 509 | LY30018-0D9A | SPECIAL SCREW,X2,A,B |
| | | LY30018-0D3A | SPECIAL SCREW,X2,C,D |
| | 510 | LY30018-081A | SPECIAL SCREW,C,D |
| | | LY30018-043B | SPECIAL SCREW,A,B |
| | 511 | LY30029-0M8A | SPACER(A) |
| | 512 | LY30018-0B7A | SPECIAL SCREW,X2,A,B |
| | | LY30018-087A | SPECIAL SCREW,X2,C,D |
| | 513 | QLD0131-001 | LCD MODULE |
| | 514 | QLL0097-001 | BACK LIGHT |
| | 515 | LY32282-001B | FPC ASSY(MONI) |
| | 516 | LY43214-001A | SHEET(MONI.FPC) |
| | 517 | LY30029-0N7A | SPACER(A) |

5.6 ELECTRICAL PARTS LIST

| # | △ REF No. | PART No. | PART NAME, DESCRIPTION | # | △ REF No. | PART No. | PART NAME, DESCRIPTION |
|---------------------------------------|-----------|--------------------|------------------------|-------|-----------|---------------|------------------------|
| ***** | | | | | | | |
| MAIN BOARD ASSEMBLY <01> | | | | | | | |
| PW | | YB10327B-03 | MAIN BOARD ASSY,A | Q1002 | | 2SC4617/QR/-X | TRANSISTOR |
| | | YB10327B-04 | MAIN BOARD ASSY,B,C,D | Q1003 | | DTC143EE | TRANSISTOR |
| IC1001 | | UPD703039F1-A14 | IC(MICRO C ROM) | | | or RN1101 | TRANSISTOR |
| | | or UPD70F3040F1A14 | IC | | | or UN921LJ | TRANSISTOR |
| IC1002 | | RS5C314 | IC | Q1004 | | DTC143XE | TRANSISTOR |
| IC1003 | | AT25320N-10SI-X | IC | Q1006 | | DTA114EE | TRANSISTOR |
| | | or 25LC640-I/SN-X | IC | | | or PDTA114EE | TRANSISTOR |
| | | or X25330S8I-2.5-X | IC | | | or RN2102 | TRANSISTOR |
| IC1006 | | MB90097PFV142 | IC(MICRO C ROM) | | | or UN9111J | TRANSISTOR |
| IC1007 | | SN74AHC1G08K | IC | Q1007 | | DTC144EE | TRANSISTOR |
| IC1101 | | TA75W01FU | IC | | | or RN1104 | TRANSISTOR |
| IC1401 | | UPD703040YF-M02 | IC(MICRO C ROM) | | | or UN9213J | TRANSISTOR |
| | | or UPD70F3040YFM02 | IC | | | or PDTA144EE | TRANSISTOR |
| IC1601 | | BD6630KV | IC | Q1401 | | DTA114EE | TRANSISTOR |
| IC1701 | | TA75W01FU | IC | | | or PDTA114EE | TRANSISTOR |
| IC1702 | | TA75W393FU | IC | | | or RN2102 | TRANSISTOR |
| IC3001 | | JCY0170 | IC | | | or UN9111J | TRANSISTOR |
| IC3002 | | JCY0136 | IC | Q1402 | | UMC3N | TRANSISTOR |
| IC3003 | | TLC2940IPW | IC | Q1403 | | UMC3N | TRANSISTOR |
| IC3004 | | SN74AHC1G04K | IC | Q1601 | | UMC3N | TRANSISTOR |
| IC3006 | | JCY0164 | IC | Q2701 | | UMX1N | PAIR TRANSISTOR |
| IC3501 | | JCY0132 | IC | Q2702 | | UMX1N | PAIR TRANSISTOR |
| IC3701 | | BA7665FS | IC | Q3701 | | UMT2N | PAIR TRANSISTOR |
| IC4201 | | HD49326BF | IC | Q3702 | | UMZ1N | PAIR TRANSISTOR |
| IC4202 | | MM1385HN | IC | Q4301 | | UMT2N | PAIR TRANSISTOR |
| IC4301 | | JCY0167 | IC | Q4303 | | 2SA1774/QR/-X | TRANSISTOR |
| IC4302 | | MSM548331TA | IC(DIGITAL) | Q6001 | | SSM6J07FU | MOS FET |
| IC4303 | | MSM548331TA | IC(DIGITAL) | Q6002 | | 2SK3019 | MOS FET |
| IC4304 | | MM1385NN | IC | | | or 2SK1830 | MOS FET |
| IC5501 | | JCY0117 | IC | Q6003 | | 2SJ347 | MOS FET |
| IC6001 | | S-80842ANNP-W | IC | Q6004 | | 2SK3019 | MOS FET |
| IC6002 | | S-817A33ANB-W | IC | | | or 2SK1830 | MOS FET |
| IC6003 | | S-814A30AMC-W | IC | Q6005 | | DTC144EE | TRANSISTOR |
| IC6004 | | S-80826ANNP-W | IC | | | or PDTC144EE | TRANSISTOR |
| IC6101 | | FA3676F | IC | | | or RN1104 | TRANSISTOR |
| IC7402 | | CXA3503R-B | IC | | | or UN9213J | TRANSISTOR |
| IC7801 | | CXA3268AR-B | IC | Q6101 | | FDC6506P | MOS FET |
| IC7802 | | MM1385HN | IC | Q6102 | | FDC6506P | MOS FET |
| IC7804 | | TA75W01FU | IC | Q6103 | | FDC6506P | MOS FET |
| IC8001 | | JCY0169 | IC | Q6104 | | 2SC4617/RS/-X | TRANSISTOR |
| IC8002 | | MSM56V16160D1LS | IC | Q6105 | | UMZ1N | PAIR TRANSISTOR |
| IC8003 | | M32310D5WG | IC | Q6106 | | UMX1N | PAIR TRANSISTOR |
| IC8004 | | MBV800TA90PBA12 | IC(MICRO C ROM) | Q6107 | | 2SA1577/RS/-X | TRANSISTOR |
| IC8005 | | SN74AHC1G00K | IC | Q7802 | | UMZ1N | PAIR TRANSISTOR |
| | | or TC7S00FU | IC | Q7803 | | UMZ1N | PAIR TRANSISTOR |
| IC8006 | | MM1385NN | IC | Q7806 | | 2SA1577/QR/-X | TRANSISTOR |
| IC8007 | | MM1385EN | IC | Q7807 | | DTC144EE | TRANSISTOR |
| IC8008 | | TC7WHU04FU | IC | | | or PDTC144EE | TRANSISTOR |
| IC8009 | | TC7WH74FK | IC | | | or RN1104 | TRANSISTOR |
| IC8010 | | TC7WH32FK | IC | | | or UN9213J | TRANSISTOR |
| IC8011 | | SN74AHC1G08K | IC | Q8401 | | DTA114EE | TRANSISTOR |
| IC8012 | | TC7WH74FK | IC | | | or PDTA114EE | TRANSISTOR |
| IC8101 | | TMS320DA050 | IC | | | or RN2102 | TRANSISTOR |
| IC8102 | | TC7MA2244FK | IC | | | or UN9111J | TRANSISTOR |
| IC8103 | | TC7S04FU | IC(DIGITAL) | D1001 | | DA221 | DIODE |
| IC8401 | | ML60851CLB | IC | D1002 | | 1SS376 | DIODE |
| | | or ML60851DLB | IC | D1602 | | DAP222 | DIODE |
| IC8402 | | S-80842ANNP-W | IC | D1603 | | DAP222 | DIODE |
| Q1001 | | DTC124EE | TRANSISTOR | D1604 | | DAP222 | DIODE |
| | | or UN9212J | TRANSISTOR | D2701 | | UMZ6.8EN | ZENER DIODE |
| | | | | D2702 | | EMZ6.8N | ZENER DIODE |
| | | | | D2703 | | DAN222 | DIODE |
| | | | | D3001 | | EC2C01C | VARI CAP DIODE |

| # | △ REF No. | PART No. | PART NAME, DESCRIPTION | # | △ REF No. | PART No. | PART NAME, DESCRIPTION | | |
|---|-----------|----------|------------------------|----------------|--------------|--------------|------------------------|--------------|--------------|
| | | D3002 | EC2C01C | VARI CAP DIODE | R1072 | NRSA6AJ-104W | MG RESISTOR | 100kΩ, 1/16W | |
| | | D3003 | EC2C01C | VARI CAP DIODE | R1101 | NRSA6AJ-333W | MG RESISTOR | 33kΩ, 1/16W | |
| | | D5501 | 1SS355 | DIODE | R1102 | NRSA6AJ-472W | MG RESISTOR | 4.7kΩ, 1/16W | |
| △ | | D6001 | RB706D-40-X | SB DIODE | R1104 | NRSA6AJ-105W | MG RESISTOR | 1MΩ, 1/16W | |
| | | D6002 | RB715F | SB DIODE | R1106 | NRSA6AJ-105W | MG RESISTOR | 1MΩ, 1/16W | |
| | | D6101 | CRS01 | SB DIODE | R1107 | NRSA6AJ-103W | MG RESISTOR | 10kΩ, 1/16W | |
| | | D6102 | CRS01 | SB DIODE | R1108 | NRSA6AJ-472W | MG RESISTOR | 4.7kΩ, 1/16W | |
| | | D6103 | CRS01 | SB DIODE | R1109 | NRSA6AJ-103W | MG RESISTOR | 10kΩ, 1/16W | |
| | | D6104 | CRS01 | SB DIODE | R1401 | NRSA6AJ-102W | MG RESISTOR | 1kΩ, 1/16W | |
| | | D6105 | CRS01 | SB DIODE | R1404 | NRSA6AJ-105W | MG RESISTOR | 1MΩ, 1/16W | |
| | | D6106 | 1SS383 | SB DIODE | R1405 | NRSA6AJ-103W | MG RESISTOR | 10kΩ, 1/16W | |
| | | D6107 | 1SS383 | SB DIODE | R1408 | NRSA6AJ-472W | MG RESISTOR | 4.7kΩ, 1/16W | |
| | | D6108 | MA8043/L-X | ZENER DIODE | R1422 | NRSA6AJ-332W | MG RESISTOR | 3.3kΩ, 1/16W | |
| | | D7401 | MA365 | VARI CAP DIODE | R1423 | NRSA6AJ-332W | MG RESISTOR | 3.3kΩ, 1/16W | |
| | | D7801 | MA365 | VARI CAP DIODE | R1424 | NRSA6AJ-332W | MG RESISTOR | 3.3kΩ, 1/16W | |
| | | D7803 | MA111 | DIODE | R1425 | NRVA6AD-753W | CMF RESISTOR | 75kΩ, 1/16W | |
| | | D8001 | 1SS355 | DIODE | R1426 | NRSA6AJ-334W | MG RESISTOR | 330kΩ, 1/16W | |
| | | D8401 | RB751V-40-X | SB DIODE | R1438 | NRSA6AJ-0R0W | MG RESISTOR | 0Ω, 1/16W | |
| | | R1001 | NRSA6AJ-104W | MG RESISTOR | 100kΩ, 1/16W | R1439 | NRSA6AJ-332W | MG RESISTOR | 3.3kΩ, 1/16W |
| | | R1002 | NRSA6AJ-224W | MG RESISTOR | 220kΩ, 1/16W | R1440 | NRSA6AJ-332W | MG RESISTOR | 3.3kΩ, 1/16W |
| | | R1003 | NRSA6AJ-472W | MG RESISTOR | 4.7kΩ, 1/16W | R1441 | NRSA6AJ-332W | MG RESISTOR | 3.3kΩ, 1/16W |
| | | R1004 | NRSA6AJ-103W | MG RESISTOR | 10kΩ, 1/16W | R1442 | NRSA6AJ-332W | MG RESISTOR | 3.3kΩ, 1/16W |
| | | R1005 | NRSA6AJ-153W | MG RESISTOR | 15kΩ, 1/16W | R1443 | NRSA6AJ-102W | MG RESISTOR | 1kΩ, 1/16W |
| | | R1006 | NRSA6AJ-103W | MG RESISTOR | 10kΩ, 1/16W | R1444 | NRSA6AJ-102W | MG RESISTOR | 1kΩ, 1/16W |
| | | R1007 | NRSA6AJ-334W | MG RESISTOR | 330kΩ, 1/16W | R1445 | NRSA6AJ-101W | MG RESISTOR | 100Ω, 1/16W |
| | | R1008 | NRSA6AJ-103W | MG RESISTOR | 10kΩ, 1/16W | R1601 | NRSA6AJ-681W | MG RESISTOR | 680Ω, 1/16W |
| | | R1009 | NRSA6AJ-152W | MG RESISTOR | 1.5kΩ, 1/16W | R1602 | NRSA6AJ-124W | MG RESISTOR | 120kΩ, 1/16W |
| | | R1010 | NRSA6AJ-561W | MG RESISTOR | 560Ω, 1/16W | R1603 | NRSA6AJ-472W | MG RESISTOR | 4.7kΩ, 1/16W |
| | | R1011 | NRSA6AJ-182W | MG RESISTOR | 1.8kΩ, 1/16W | R1604 | NRSA6AJ-104W | MG RESISTOR | 100kΩ, 1/16W |
| | | R1012 | NRSA6AJ-272W | MG RESISTOR | 2.7kΩ, 1/16W | R1605 | NRV142F-R22X | CMF RESISTOR | 0.22Ω, 1/4W |
| | | R1013 | NRSA6AJ-392W | MG RESISTOR | 3.9kΩ, 1/16W | R1606 | NRSA6AJ-103W | MG RESISTOR | 10kΩ, 1/16W |
| | | R1014 | NRSA6AJ-682W | MG RESISTOR | 6.8kΩ, 1/16W | R1609 | NRV142F-R33X | CMF RESISTOR | 0.33Ω, 1/4W |
| | | R1015 | NRSA6AJ-474W | MG RESISTOR | 470kΩ, 1/16W | R1610 | NRSA6AJ-471W | MG RESISTOR | 470Ω, 1/16W |
| | | R1017 | NRSA6AJ-391W | MG RESISTOR | 390Ω, 1/16W | R1611 | NRSA6AJ-471W | MG RESISTOR | 470Ω, 1/16W |
| | | R1018 | NRSA6AJ-103W | MG RESISTOR | 10kΩ, 1/16W | R1612 | NRSA6AJ-104W | MG RESISTOR | 100kΩ, 1/16W |
| | | R1020 | NRSA6AJ-331W | MG RESISTOR | 330Ω, 1/16W | R1613 | NRSA6AJ-102W | MG RESISTOR | 1kΩ, 1/16W |
| | | R1021 | NRSA6AJ-331W | MG RESISTOR | 330Ω, 1/16W | R1614 | NRSA6AJ-682W | MG RESISTOR | 6.8kΩ, 1/16W |
| | | R1022 | NRSA6AJ-331W | MG RESISTOR | 330Ω, 1/16W | R1615 | NRSA6AJ-103W | MG RESISTOR | 10kΩ, 1/16W |
| | | R1023 | NRSA6AJ-473W | MG RESISTOR | 47kΩ, 1/16W | R1616 | NRSA6AJ-681W | MG RESISTOR | 680Ω, 1/16W |
| | | R1024 | NRSA6AJ-102W | MG RESISTOR | 1kΩ, 1/16W | R1617 | NRSA6AJ-224W | MG RESISTOR | 220kΩ, 1/16W |
| | | R1025 | NRSA6AJ-104W | MG RESISTOR | 100kΩ, 1/16W | R1618 | NRSA6AJ-154W | MG RESISTOR | 150kΩ, 1/16W |
| | | R1026 | NRSA6AJ-472W | MG RESISTOR | 4.7kΩ, 1/16W | R1619 | NRSA6AJ-223W | MG RESISTOR | 22kΩ, 1/16W |
| | | R1029 | NRSA6AJ-473W | MG RESISTOR | 47kΩ, 1/16W | R1620 | NRSA6AJ-103W | MG RESISTOR | 10kΩ, 1/16W |
| | | R1030 | NRSA6AJ-104W | MG RESISTOR | 100kΩ, 1/16W | R1621 | NRSA6AJ-103W | MG RESISTOR | 10kΩ, 1/16W |
| | | R1037 | NRSA6AJ-103W | MG RESISTOR | 10kΩ, 1/16W | R1622 | NRSA6AJ-103W | MG RESISTOR | 10kΩ, 1/16W |
| | | R1039 | NRSA6AJ-103W | MG RESISTOR | 10kΩ, 1/16W | R1624 | NRSA6AD-123W | MG RESISTOR | 12kΩ, 1/16W |
| | | R1044 | NRSA6AJ-123W | MG RESISTOR | 12kΩ, 1/16W | R1628 | NRSA6AD-361W | MG RESISTOR | 360Ω, 1/16W |
| | | R1045 | NRSA6AJ-822W | MG RESISTOR | 8.2kΩ, 1/16W | R1629 | NRSA6AJ-564W | MG RESISTOR | 560kΩ, 1/16W |
| | | R1046 | NRSA6AJ-103W | MG RESISTOR | 10kΩ, 1/16W | R1630 | NRSA6AJ-0R0W | MG RESISTOR | 0Ω, 1/16W |
| | | R1047 | NRSA6AJ-473W | MG RESISTOR | 47kΩ, 1/16W | R1631 | NRSA6AJ-0R0W | MG RESISTOR | 0Ω, 1/16W |
| | | R1048 | NRSA6AJ-104W | MG RESISTOR | 100kΩ, 1/16W | R1632 | NRSA6AJ-0R0W | MG RESISTOR | 0Ω, 1/16W |
| | | R1049 | NRSA6AJ-393W | MG RESISTOR | 39kΩ, 1/16W | R1633 | NRSA6AJ-0R0W | MG RESISTOR | 0Ω, 1/16W |
| | | R1050 | NRSA6AJ-223W | MG RESISTOR | 22kΩ, 1/16W | R1634 | NRSA6AJ-0R0W | MG RESISTOR | 0Ω, 1/16W |
| | | R1051 | NRSA6AJ-272W | MG RESISTOR | 2.7kΩ, 1/16W | R1635 | NRSA6AJ-472W | MG RESISTOR | 4.7kΩ, 1/16W |
| | | R1052 | NRSA6AJ-183W | MG RESISTOR | 18kΩ, 1/16W | R1636 | NRSA6AJ-103W | MG RESISTOR | 10kΩ, 1/16W |
| | | R1053 | NRSA6AJ-154W | MG RESISTOR | 150kΩ, 1/16W | R1637 | NRSA6AJ-124W | MG RESISTOR | 120kΩ, 1/16W |
| | | R1054 | NRSA6AJ-473W | MG RESISTOR | 47kΩ, 1/16W | R1644 | NRSA6AJ-0R0W | MG RESISTOR | 0Ω, 1/16W |
| | | R1055 | NRSA6AJ-103W | MG RESISTOR | 10kΩ, 1/16W | R1701 | NRSA6AJ-823W | MG RESISTOR | 82kΩ, 1/16W |
| | | R1056 | NRSA6AJ-472W | MG RESISTOR | 4.7kΩ, 1/16W | R1702 | NRSA6AJ-222W | MG RESISTOR | 2.2kΩ, 1/16W |
| | | R1058 | NRSA6AJ-222W | MG RESISTOR | 2.2kΩ, 1/16W | R1703 | NRSA6AJ-222W | MG RESISTOR | 2.2kΩ, 1/16W |
| | | R1060 | NRSA6AJ-473W | MG RESISTOR | 47kΩ, 1/16W | R1704 | NRSA6AJ-222W | MG RESISTOR | 2.2kΩ, 1/16W |
| | | R1066 | NRSA6AJ-473W | MG RESISTOR | 47kΩ, 1/16W | R1705 | NRSA6AJ-222W | MG RESISTOR | 2.2kΩ, 1/16W |
| | | R1071 | NRSA6AJ-474W | MG RESISTOR | 470kΩ, 1/16W | R1706 | NRSA6AJ-823W | MG RESISTOR | 82kΩ, 1/16W |

| # | △ REF No. | PART No. | PART NAME, DESCRIPTION | # | △ REF No. | PART No. | PART NAME, DESCRIPTION |
|-------|-----------|--------------|-------------------------|-------|-----------|--------------|--------------------------|
| R1707 | | NRSA6AJ-103W | MG RESISTOR 10kΩ,1/16W | R3509 | | NRSA63J-0R0X | MG RESISTOR 0Ω,1/16W |
| R1708 | | NRSA6AJ-124W | MG RESISTOR 120kΩ,1/16W | R3521 | | NRSA6AJ-0R0W | MG RESISTOR 0Ω,1/16W |
| R1709 | | NRSA6AJ-103W | MG RESISTOR 10kΩ,1/16W | R3522 | | NRSA6AJ-0R0W | MG RESISTOR 0Ω,1/16W |
| R1710 | | NRSA6AJ-124W | MG RESISTOR 120kΩ,1/16W | R3523 | | NRSA6AJ-0R0W | MG RESISTOR 0Ω,1/16W |
| R1711 | | NRSA6AJ-102W | MG RESISTOR 1kΩ,1/16W | R3525 | | NRSA6AJ-0R0W | MG RESISTOR 0Ω,1/16W |
| R1712 | | NRSA6AJ-102W | MG RESISTOR 1kΩ,1/16W | R3701 | | NRSA6AD-241W | MG RESISTOR 240Ω,1/16W |
| R2701 | | NRSA6AJ-821W | MG RESISTOR 820Ω,1/16W | R3702 | | NRSA6AD-241W | MG RESISTOR 240Ω,1/16W |
| R2702 | | NRSA6AJ-821W | MG RESISTOR 820Ω,1/16W | R3703 | | NRSA6AJ-472W | MG RESISTOR 4.7kΩ,1/16W |
| R2703 | | NRSA6AJ-564W | MG RESISTOR 560kΩ,1/16W | R3704 | | NRSA6AJ-392W | MG RESISTOR 3.9kΩ,1/16W |
| R2704 | | NRSA6AJ-564W | MG RESISTOR 560kΩ,1/16W | R3705 | | NRSA6AD-221W | MG RESISTOR 220Ω,1/16W |
| R2705 | | NRSA6AJ-332W | MG RESISTOR 3.3kΩ,1/16W | R3706 | | NRSA6AD-221W | MG RESISTOR 220Ω,1/16W |
| R2706 | | NRSA6AJ-151W | MG RESISTOR 150Ω,1/16W | R3707 | | NRSA6AJ-472W | MG RESISTOR 4.7kΩ,1/16W |
| R2707 | | NRSA6AJ-151W | MG RESISTOR 150Ω,1/16W | R3708 | | NRSA6AD-680W | MG RESISTOR 68Ω,1/16W |
| R2708 | | NRSA6AJ-103W | MG RESISTOR 10kΩ,1/16W | R3709 | | NRSA6AD-680W | MG RESISTOR 68Ω,1/16W |
| R2709 | | NRSA6AJ-103W | MG RESISTOR 10kΩ,1/16W | R3711 | | NRSA6AJ-123W | MG RESISTOR 12kΩ,1/16W |
| R2710 | | NRSA6AJ-332W | MG RESISTOR 3.3kΩ,1/16W | R3712 | | NRSA6AJ-103W | MG RESISTOR 10kΩ,1/16W |
| R2909 | | NRSA6AJ-472W | MG RESISTOR 4.7kΩ,1/16W | R3714 | | NRSA6AJ-561W | MG RESISTOR 560Ω,1/16W |
| R3002 | | NRSA6AJ-103W | MG RESISTOR 10kΩ,1/16W | R3715 | | NRSA6AJ-561W | MG RESISTOR 560Ω,1/16W |
| R3004 | | NRSA6AJ-103W | MG RESISTOR 10kΩ,1/16W | R3716 | | NRSA6AJ-103W | MG RESISTOR 10kΩ,1/16W |
| R3007 | | NRSA6AJ-562W | MG RESISTOR 5.6kΩ,1/16W | R4203 | | NRSA6AJ-0R0W | MG RESISTOR 0Ω,1/16W |
| R3008 | | NRSA6AJ-222W | MG RESISTOR 2.2kΩ,1/16W | R4204 | | NRSA6AJ-220W | MG RESISTOR 22Ω,1/16W |
| R3009 | | NRSA6AJ-103W | MG RESISTOR 10kΩ,1/16W | R4205 | | NRSA6AJ-243W | MG RESISTOR 24kΩ,1/16W |
| R3010 | | NRSA6AJ-103W | MG RESISTOR 10kΩ,1/16W | R4206 | | NRSA6AJ-102W | MG RESISTOR 1kΩ,1/16W |
| R3011 | | NRSA6AJ-224W | MG RESISTOR 220kΩ,1/16W | R4207 | | NRSA6AJ-102W | MG RESISTOR 1kΩ,1/16W |
| R3013 | | NRSA6AJ-242W | MG RESISTOR 2.4kΩ,1/16W | R4208 | | NRSA6AJ-102W | MG RESISTOR 1kΩ,1/16W |
| R3014 | | NRSA6AJ-392W | MG RESISTOR 3.9kΩ,1/16W | R4301 | | NRSA6AJ-220W | MG RESISTOR 22Ω,1/16W |
| R3015 | | NRSA6AJ-392W | MG RESISTOR 3.9kΩ,1/16W | R4302 | | NRSA6AJ-100W | MG RESISTOR 10Ω,1/16W |
| R3016 | | NRSA6AD-560W | MG RESISTOR 56Ω,1/16W | R4304 | | NRSA6AJ-0R0W | MG RESISTOR 0Ω,1/16W |
| R3017 | | NRSA6AD-560W | MG RESISTOR 56Ω,1/16W | R4307 | | NRVA6AD-333W | CMF RESISTOR 33kΩ,1/16W |
| R3018 | | NRSA6AD-560W | MG RESISTOR 56Ω,1/16W | R4308 | | NRVA6AD-682W | CMF RESISTOR 6.8kΩ,1/16W |
| R3019 | | NRSA6AD-560W | MG RESISTOR 56Ω,1/16W | R4309 | | NRSA6AJ-0R0W | MG RESISTOR 0Ω,1/16W |
| R3020 | | NRSA6AD-512W | MG RESISTOR 5.1kΩ,1/16W | R4311 | | NRVA6AD-272W | CMF RESISTOR 2.7kΩ,1/16W |
| R3025 | | NRSA6AJ-0R0W | MG RESISTOR 0Ω,1/16W | R4312 | | NRVA6AD-272W | CMF RESISTOR 2.7kΩ,1/16W |
| R3026 | | NRSA6AJ-0R0W | MG RESISTOR 0Ω,1/16W | R4313 | | NRVA6AD-272W | CMF RESISTOR 2.7kΩ,1/16W |
| R3027 | | NRSA6AJ-103W | MG RESISTOR 10kΩ,1/16W | R4314 | | NRVA6AD-123W | CMF RESISTOR 12kΩ,1/16W |
| R3029 | | NRSA6AJ-103W | MG RESISTOR 10kΩ,1/16W | R4315 | | NRVA6AD-103W | CMF RESISTOR 10kΩ,1/16W |
| R3030 | | NRSA6AJ-224W | MG RESISTOR 220kΩ,1/16W | R4316 | | NRVA6AD-111W | CMF RESISTOR 110Ω,1/16W |
| R3031 | | NRSA6AJ-224W | MG RESISTOR 220kΩ,1/16W | R4317 | | NRSA6AJ-0R0W | MG RESISTOR 0Ω,1/16W |
| R3033 | | NRSA6AJ-0R0W | MG RESISTOR 0Ω,1/16W | R4318 | | NRSA6AJ-152W | MG RESISTOR 1.5kΩ,1/16W |
| R3034 | | NRSA6AJ-222W | MG RESISTOR 2.2kΩ,1/16W | R4319 | | NRVA6AD-111W | CMF RESISTOR 110Ω,1/16W |
| R3041 | | NRSA6AJ-561W | MG RESISTOR 560Ω,1/16W | R4320 | | NRSA6AJ-0R0W | MG RESISTOR 0Ω,1/16W |
| R3042 | | NRSA6AJ-561W | MG RESISTOR 560Ω,1/16W | R4321 | | NRSA6AJ-152W | MG RESISTOR 1.5kΩ,1/16W |
| R3043 | | NRSA6AJ-561W | MG RESISTOR 560Ω,1/16W | R4322 | | NRSA6AJ-100W | MG RESISTOR 10Ω,1/16W |
| R3044 | | NRSA6AJ-392W | MG RESISTOR 3.9kΩ,1/16W | R4323 | | NRSA6AJ-100W | MG RESISTOR 10Ω,1/16W |
| R3045 | | NRSA63J-0R0X | MG RESISTOR 0Ω,1/16W | R4324 | | NRSA6AJ-100W | MG RESISTOR 10Ω,1/16W |
| R3046 | | NRSA6AD-222W | MG RESISTOR 2.2kΩ,1/16W | R4325 | | NRSA6AJ-101W | MG RESISTOR 100Ω,1/16W |
| R3047 | | NRSA6AJ-0R0W | MG RESISTOR 0Ω,1/16W | R4326 | | NRSA6AJ-101W | MG RESISTOR 100Ω,1/16W |
| R3050 | | NRSA63J-101X | MG RESISTOR 100Ω,1/16W | R4327 | | NRSA6AJ-101W | MG RESISTOR 100Ω,1/16W |
| R3052 | | NRSA6AJ-103W | MG RESISTOR 10kΩ,1/16W | R4328 | | NRSA6AJ-101W | MG RESISTOR 100Ω,1/16W |
| R3053 | | NRSA6AJ-103W | MG RESISTOR 10kΩ,1/16W | R4329 | | NRSA6AJ-223W | MG RESISTOR 22kΩ,1/16W |
| R3054 | | NRSA6AJ-103W | MG RESISTOR 10kΩ,1/16W | R4330 | | NRSA6AJ-0R0W | MG RESISTOR 0Ω,1/16W |
| R3055 | | NRSA6AJ-103W | MG RESISTOR 10kΩ,1/16W | R4331 | | NRVA6AD-111W | CMF RESISTOR 110Ω,1/16W |
| R3057 | | NRSA6AJ-101W | MG RESISTOR 100Ω,1/16W | R4332 | | NRSA6AJ-152W | MG RESISTOR 1.5kΩ,1/16W |
| R3059 | | NRSA6AJ-0R0W | MG RESISTOR 0Ω,1/16W | R4333 | | NRSA6AJ-0R0W | MG RESISTOR 0Ω,1/16W |
| R3062 | | NRSA6AJ-0R0W | MG RESISTOR 0Ω,1/16W | R4336 | | NRSA6AJ-0R0W | MG RESISTOR 0Ω,1/16W |
| R3501 | | NRSA6AJ-471W | MG RESISTOR 470Ω,1/16W | R4338 | | NRSA6AJ-220W | MG RESISTOR 22Ω,1/16W |
| R3502 | | NRSA6AJ-104W | MG RESISTOR 100kΩ,1/16W | R4340 | | NRSA6AJ-272W | MG RESISTOR 2.7kΩ,1/16W |
| R3503 | | NRSA6AJ-102W | MG RESISTOR 1kΩ,1/16W | R4341 | | NRSA6AJ-223W | MG RESISTOR 22kΩ,1/16W |
| R3504 | | NRSA6AD-241W | MG RESISTOR 240Ω,1/16W | R4342 | | NRSA6AJ-223W | MG RESISTOR 22kΩ,1/16W |
| R3505 | | NRSA6AD-241W | MG RESISTOR 240Ω,1/16W | R4343 | | NRSA6AJ-223W | MG RESISTOR 22kΩ,1/16W |
| R3506 | | NRSA6AD-241W | MG RESISTOR 240Ω,1/16W | R5501 | | NRSA6AJ-470W | MG RESISTOR 47Ω,1/16W |
| R3507 | | NRSA6AD-241W | MG RESISTOR 240Ω,1/16W | R5503 | | NRSA6AJ-100W | MG RESISTOR 10Ω,1/16W |
| R3508 | | NRSA6AJ-223W | MG RESISTOR 22kΩ,1/16W | R5504 | | NRSA6AJ-100W | MG RESISTOR 10Ω,1/16W |

| # | △ | REF No. | PART No. | PART NAME, DESCRIPTION | | # | △ | REF No. | PART No. | PART NAME, DESCRIPTION | |
|---|---|---------|--------------|------------------------|--------------|---|---|---------|--------------|------------------------|--------------|
| | | R5505 | NRSA6AJ-100W | MG RESISTOR | 10Ω, 1/16W | | | R6147 | NRSA6AD-123W | MG RESISTOR | 12kΩ, 1/16W |
| | | R5506 | NRSA6AJ-100W | MG RESISTOR | 10Ω, 1/16W | | | R6148 | NRSA6AD-103W | MG RESISTOR | 10kΩ, 1/16W |
| | | R5507 | NRSA6AJ-100W | MG RESISTOR | 10Ω, 1/16W | | | R6150 | NRSA6AJ-0R0W | MG RESISTOR | 0Ω, 1/16W |
| | | R5509 | NRSA6AJ-220W | MG RESISTOR | 22Ω, 1/16W | | | R7401 | NRSA6AJ-104W | MG RESISTOR | 100kΩ, 1/16W |
| | | R5510 | NRSA6AJ-470W | MG RESISTOR | 47Ω, 1/16W | | | R7402 | NRSA6AD-333W | MG RESISTOR | 33kΩ, 1/16W |
| | | R5511 | NRSA6AJ-470W | MG RESISTOR | 47Ω, 1/16W | | | R7403 | NRSA6AJ-0R0W | MG RESISTOR | 0Ω, 1/16W |
| | | R5512 | NRSA6AJ-102W | MG RESISTOR | 1kΩ, 1/16W | | | R7404 | NRSA6AJ-0R0W | MG RESISTOR | 0Ω, 1/16W |
| | | R5513 | NRSA6AJ-102W | MG RESISTOR | 1kΩ, 1/16W | | | R7405 | NRSA6AJ-0R0W | MG RESISTOR | 0Ω, 1/16W |
| | | R5514 | NRSA6AJ-102W | MG RESISTOR | 1kΩ, 1/16W | | | R7406 | NRSA6AD-153W | MG RESISTOR | 15kΩ, 1/16W |
| | | R6001 | NRSA6AJ-104W | MG RESISTOR | 100kΩ, 1/16W | | | R7407 | NRSA6AJ-0R0W | MG RESISTOR | 0Ω, 1/16W |
| | | R6002 | NRSA6AD-183W | MG RESISTOR | 18kΩ, 1/16W | | | R7409 | NRSA6AJ-100W | MG RESISTOR | 10Ω, 1/16W |
| | | R6003 | NRSA6AJ-104W | MG RESISTOR | 100kΩ, 1/16W | | | R7410 | NRSA6AJ-100W | MG RESISTOR | 10Ω, 1/16W |
| | | R6004 | NRSA6AJ-102W | MG RESISTOR | 1kΩ, 1/16W | | | R7411 | NRSA6AJ-100W | MG RESISTOR | 10Ω, 1/16W |
| | | R6005 | NRSA6AJ-224W | MG RESISTOR | 220kΩ, 1/16W | | | R7415 | NRSA6AJ-0R0W | MG RESISTOR | 0Ω, 1/16W |
| | | R6006 | NRSA6AJ-104W | MG RESISTOR | 100kΩ, 1/16W | | | R7416 | NRSA6AJ-0R0W | MG RESISTOR | 0Ω, 1/16W |
| | | R6007 | NRSA6AJ-104W | MG RESISTOR | 100kΩ, 1/16W | | | R7420 | NRSA6AJ-333W | MG RESISTOR | 33kΩ, 1/16W |
| | | R6011 | NRSA6AJ-104W | MG RESISTOR | 100kΩ, 1/16W | | | R7421 | NRSA6AJ-103W | MG RESISTOR | 10kΩ, 1/16W |
| | | R6012 | NRSA6AD-823W | MG RESISTOR | 82kΩ, 1/16W | | | R7422 | NRSA6AJ-102W | MG RESISTOR | 1kΩ, 1/16W |
| | | R6013 | NRSA6AD-473W | MG RESISTOR | 47kΩ, 1/16W | | | R7423 | NRSA6AJ-103W | MG RESISTOR | 10kΩ, 1/16W |
| | | R6017 | NRSA63J-102X | MG RESISTOR | 1kΩ, 1/16W | | | R7436 | NRSA6AJ-0R0W | MG RESISTOR | 0Ω, 1/16W |
| | △ | R6018 | NRSA63J-471X | MG RESISTOR | 470Ω, 1/16W | | | R7439 | NRSA6AJ-0R0W | MG RESISTOR | 0Ω, 1/16W |
| | | R6101 | NRSA6AD-302W | MG RESISTOR | 3kΩ, 1/16W | | | R7440 | NRSA6AJ-0R0W | MG RESISTOR | 0Ω, 1/16W |
| | | R6102 | NRSA6AD-243W | MG RESISTOR | 24kΩ, 1/16W | | | R7445 | NRSA6AJ-101W | MG RESISTOR | 100Ω, 1/16W |
| | | R6103 | NRSA6AJ-0R0W | MG RESISTOR | 0Ω, 1/16W | | | R7446 | NRSA6AJ-0R0W | MG RESISTOR | 0Ω, 1/16W |
| | | R6104 | NRSA6AJ-224W | MG RESISTOR | 220kΩ, 1/16W | | | R7449 | NRSA6AJ-0R0W | MG RESISTOR | 0Ω, 1/16W |
| | | R6105 | NRSA6AJ-184W | MG RESISTOR | 180kΩ, 1/16W | | | R7801 | NRSA6AJ-0R0W | MG RESISTOR | 0Ω, 1/16W |
| | | R6107 | NRSA6AD-153W | MG RESISTOR | 15kΩ, 1/16W | | | R7802 | NRSA6AJ-0R0W | MG RESISTOR | 0Ω, 1/16W |
| | | R6108 | NRSA6AD-123W | MG RESISTOR | 12kΩ, 1/16W | | | R7806 | NRSA6AJ-104W | MG RESISTOR | 100kΩ, 1/16W |
| | | R6109 | NRSA6AD-562W | MG RESISTOR | 5.6kΩ, 1/16W | | | R7808 | NRSA6AD-333W | MG RESISTOR | 33kΩ, 1/16W |
| | | R6110 | NRSA6AD-473W | MG RESISTOR | 47kΩ, 1/16W | | | R7809 | NRSA6AJ-100W | MG RESISTOR | 10Ω, 1/16W |
| | | R6111 | NRSA6AD-472W | MG RESISTOR | 4.7kΩ, 1/16W | | | R7810 | NRSA6AJ-100W | MG RESISTOR | 10Ω, 1/16W |
| | | R6112 | NRSA6AD-113W | MG RESISTOR | 11kΩ, 1/16W | | | R7812 | NRSA6AD-153W | MG RESISTOR | 15kΩ, 1/16W |
| | | R6113 | NRSA6AD-223W | MG RESISTOR | 22kΩ, 1/16W | | | R7814 | NRSA6AJ-333W | MG RESISTOR | 33kΩ, 1/16W |
| | | R6114 | NRSA6AD-183W | MG RESISTOR | 18kΩ, 1/16W | | | R7815 | NRSA6AJ-103W | MG RESISTOR | 10kΩ, 1/16W |
| | | R6115 | NRSA6AD-512W | MG RESISTOR | 5.1kΩ, 1/16W | | | R7816 | NRSA6AJ-102W | MG RESISTOR | 1kΩ, 1/16W |
| | | R6116 | NRVA6AD-433W | CMF RESISTOR | 43kΩ, 1/16W | | | R7817 | NRSA6AJ-103W | MG RESISTOR | 10kΩ, 1/16W |
| | | R6117 | NRSA6AJ-272W | MG RESISTOR | 2.7kΩ, 1/16W | | | R7820 | NRSA6AD-223W | MG RESISTOR | 22kΩ, 1/16W |
| | | R6118 | NRSA6AJ-472W | MG RESISTOR | 4.7kΩ, 1/16W | | | R7821 | NRSA6AD-183W | MG RESISTOR | 18kΩ, 1/16W |
| | | R6119 | NRSA6AD-683W | MG RESISTOR | 68kΩ, 1/16W | | | R7822 | NRSA6AD-331W | MG RESISTOR | 330Ω, 1/16W |
| | | R6120 | NRSA6AD-123W | MG RESISTOR | 12kΩ, 1/16W | | | R7823 | NRSA6AJ-100W | MG RESISTOR | 10Ω, 1/16W |
| | | R6121 | NRSA6AJ-223W | MG RESISTOR | 22kΩ, 1/16W | | | R7824 | NRSA6AJ-100W | MG RESISTOR | 10Ω, 1/16W |
| | | R6122 | NRSA6AJ-223W | MG RESISTOR | 22kΩ, 1/16W | | | R7825 | NRSA6AJ-100W | MG RESISTOR | 10Ω, 1/16W |
| | | R6124 | NRSA6AJ-330W | MG RESISTOR | 33Ω, 1/16W | | | R7826 | NRSA6AJ-0R0W | MG RESISTOR | 0Ω, 1/16W |
| | | R6125 | NRSA6AJ-330W | MG RESISTOR | 33Ω, 1/16W | | | R7827 | NRSA6AJ-0R0W | MG RESISTOR | 0Ω, 1/16W |
| | | R6126 | NRSA6AJ-473W | MG RESISTOR | 47kΩ, 1/16W | | | R7834 | NRSA6AJ-100W | MG RESISTOR | 10Ω, 1/16W |
| | | R6127 | NRSA6AJ-330W | MG RESISTOR | 33Ω, 1/16W | | | R7835 | NRSA6AJ-223W | MG RESISTOR | 22kΩ, 1/16W |
| | | R6128 | NRSA6AJ-330W | MG RESISTOR | 33Ω, 1/16W | | | R7836 | NRSA6AJ-223W | MG RESISTOR | 22kΩ, 1/16W |
| | | R6129 | NRSA6AJ-330W | MG RESISTOR | 33Ω, 1/16W | | | R7837 | NRSA6AJ-103W | MG RESISTOR | 10kΩ, 1/16W |
| | | R6130 | NRSA6AJ-473W | MG RESISTOR | 47kΩ, 1/16W | | | R7838 | NRSA6AJ-472W | MG RESISTOR | 4.7kΩ, 1/16W |
| | | R6131 | NRSA6AJ-330W | MG RESISTOR | 33Ω, 1/16W | | | R7846 | NRSA6AJ-333W | MG RESISTOR | 33kΩ, 1/16W |
| | | R6132 | NRSA6AJ-101W | MG RESISTOR | 100Ω, 1/16W | | | R7847 | NRSA6AJ-683W | MG RESISTOR | 68kΩ, 1/16W |
| | | R6133 | NRSA6AJ-222W | MG RESISTOR | 2.2kΩ, 1/16W | | | R7848 | NRSA6AJ-473W | MG RESISTOR | 47kΩ, 1/16W |
| | | R6134 | NRSA6AD-333W | MG RESISTOR | 33kΩ, 1/16W | | | R7849 | NRSA6AJ-184W | MG RESISTOR | 180kΩ, 1/16W |
| | | R6135 | NRSA6AD-473W | MG RESISTOR | 47kΩ, 1/16W | | | R7857 | NRSA6AJ-0R0W | MG RESISTOR | 0Ω, 1/16W |
| | | R6136 | NRSA6AJ-473W | MG RESISTOR | 47kΩ, 1/16W | | | R7858 | NRSA6AJ-0R0W | MG RESISTOR | 0Ω, 1/16W |
| | | R6137 | NRSA6AJ-273W | MG RESISTOR | 27kΩ, 1/16W | | | R7859 | NRSA6AJ-0R0W | MG RESISTOR | 0Ω, 1/16W |
| | | R6138 | NRSA6AJ-822W | MG RESISTOR | 8.2kΩ, 1/16W | | | R7881 | NRSA6AJ-101W | MG RESISTOR | 100Ω, 1/16W |
| | | R6139 | NRSA6AD-823W | MG RESISTOR | 82kΩ, 1/16W | | | R7882 | NRSA6AJ-0R0W | MG RESISTOR | 0Ω, 1/16W |
| | | R6140 | NRSA6AD-513W | MG RESISTOR | 51kΩ, 1/16W | | | R7885 | NRSA6AJ-0R0W | MG RESISTOR | 0Ω, 1/16W |
| | | R6141 | NRSA6AD-473W | MG RESISTOR | 47kΩ, 1/16W | | | R7887 | NRSA6AJ-473W | MG RESISTOR | 47kΩ, 1/16W |
| | | R6144 | NRSA6AD-223W | MG RESISTOR | 22kΩ, 1/16W | | | R7888 | NRSA6AJ-184W | MG RESISTOR | 180kΩ, 1/16W |
| | | R6145 | NRSA6AD-473W | MG RESISTOR | 47kΩ, 1/16W | | | R8002 | NRSA6AJ-100W | MG RESISTOR | 10Ω, 1/16W |
| | | R6146 | NRSA6AD-104W | MG RESISTOR | 100kΩ, 1/16W | | | R8004 | NRSA6AJ-104W | MG RESISTOR | 100kΩ, 1/16W |

| # | △ REF No. | PART No. | PART NAME, DESCRIPTION | # | △ REF No. | PART No. | PART NAME, DESCRIPTION |
|-------|-----------|--------------|-------------------------|--------|-----------|--------------|-------------------------|
| R8006 | | NRSA6AJ-0R0W | MG RESISTOR 0Ω,1/16W | R8401 | | NRSA6AJ-105W | MG RESISTOR 1MΩ,1/16W |
| R8007 | | NRSA6AJ-103W | MG RESISTOR 10kΩ,1/16W | R8402 | | NRS181J-220X | MG RESISTOR 22Ω,1/8W |
| R8008 | | NRSA6AJ-0R0W | MG RESISTOR 0Ω,1/16W | R8403 | | NRS181J-220X | MG RESISTOR 22Ω,1/8W |
| R8011 | | NRSA6AJ-0R0W | MG RESISTOR 0Ω,1/16W | R8404 | | NRSA6AJ-152W | MG RESISTOR 1.5kΩ,1/16W |
| R8014 | | NRSA6AJ-0R0W | MG RESISTOR 0Ω,1/16W | R8406 | | NRSA6AJ-153W | MG RESISTOR 15kΩ,1/16W |
| R8015 | | NRVA6AD-133W | CMF RESISTOR 13kΩ,1/16W | R8407 | | NRSA6AJ-102W | MG RESISTOR 1kΩ,1/16W |
| R8017 | | NRSA6AJ-0R0W | MG RESISTOR 0Ω,1/16W | R8408 | | NRSA6AJ-0R0W | MG RESISTOR 0Ω,1/16W |
| R8020 | | NRSA6AJ-0R0W | MG RESISTOR 0Ω,1/16W | R8409 | | NRSA6AJ-0R0W | MG RESISTOR 0Ω,1/16W |
| R8021 | | NRSA6AJ-100W | MG RESISTOR 10Ω,1/16W | R8410 | | NRSA6AJ-0R0W | MG RESISTOR 0Ω,1/16W |
| R8022 | | NRSA6AJ-223W | MG RESISTOR 22kΩ,1/16W | R8411 | | NRSA6AJ-0R0W | MG RESISTOR 0Ω,1/16W |
| R8023 | | NRSA6AJ-100W | MG RESISTOR 10Ω,1/16W | R8412 | | NRSA6AJ-0R0W | MG RESISTOR 0Ω,1/16W |
| R8025 | | NRSA6AJ-100W | MG RESISTOR 10Ω,1/16W | RA1008 | | NRZ0034-104W | NETWORK RESISTOR 100kΩ |
| R8026 | | NRSA6AJ-100W | MG RESISTOR 10Ω,1/16W | RA1009 | | NRZ0034-104W | NETWORK RESISTOR 100kΩ |
| R8027 | | NRSA6AJ-104W | MG RESISTOR 100kΩ,1/16W | RA1010 | | NRZ0034-104W | NETWORK RESISTOR 100kΩ |
| R8028 | | NRSA6AJ-104W | MG RESISTOR 100kΩ,1/16W | RA1401 | | NRZ0034-473W | NETWORK RESISTOR 47kΩ |
| R8029 | | NRSA6AJ-104W | MG RESISTOR 100kΩ,1/16W | RA1402 | | NRZ0034-102W | NETWORK RESISTOR 1kΩ |
| R8030 | | NRSA6AJ-223W | MG RESISTOR 22kΩ,1/16W | RA4301 | | NRZ0034-101W | NETWORK RESISTOR 100Ω |
| R8032 | | NRSA6AJ-0R0W | MG RESISTOR 0Ω,1/16W | RA4302 | | NRZ0034-101W | NETWORK RESISTOR 100Ω |
| R8033 | | NRSA6AJ-104W | MG RESISTOR 100kΩ,1/16W | RA4303 | | NRZ0034-101W | NETWORK RESISTOR 100Ω |
| R8034 | | NRSA6AJ-101W | MG RESISTOR 100Ω,1/16W | RA4304 | | NRZ0034-101W | NETWORK RESISTOR 100Ω |
| R8035 | | NRSA6AJ-101W | MG RESISTOR 100Ω,1/16W | RA4305 | | NRZ0034-101W | NETWORK RESISTOR 100Ω |
| R8036 | | NRSA6AJ-0R0W | MG RESISTOR 0Ω,1/16W | RA4306 | | NRZ0034-101W | NETWORK RESISTOR 100Ω |
| R8037 | | NRSA6AJ-0R0W | MG RESISTOR 0Ω,1/16W | RA4307 | | NRZ0034-100W | NETWORK RESISTOR 10Ω |
| R8038 | | NRSA6AJ-473W | MG RESISTOR 47kΩ,1/16W | RA4308 | | NRZ0034-100W | NETWORK RESISTOR 10Ω |
| R8040 | | NRSA6AJ-105W | MG RESISTOR 1MΩ,1/16W | RA4309 | | NRZ0034-100W | NETWORK RESISTOR 10Ω |
| R8046 | | NRSA6AJ-103W | MG RESISTOR 10kΩ,1/16W | RA4310 | | NRZ0034-100W | NETWORK RESISTOR 10Ω |
| R8047 | | NRSA6AJ-101W | MG RESISTOR 100Ω,1/16W | RA8001 | | NRZ0034-100W | NETWORK RESISTOR 10Ω |
| R8049 | | NRSA6AJ-100W | MG RESISTOR 10Ω,1/16W | RA8002 | | NRZ0034-100W | NETWORK RESISTOR 10Ω |
| R8050 | | NRSA6AJ-100W | MG RESISTOR 10Ω,1/16W | RA8003 | | NRZ0034-100W | NETWORK RESISTOR 10Ω |
| R8051 | | NRSA6AJ-473W | MG RESISTOR 47kΩ,1/16W | RA8004 | | NRZ0034-100W | NETWORK RESISTOR 10Ω |
| R8052 | | NRSA6AJ-223W | MG RESISTOR 22kΩ,1/16W | RA8401 | | NRZ0034-100W | NETWORK RESISTOR 10Ω |
| R8053 | | NRSA6AJ-100W | MG RESISTOR 10Ω,1/16W | RA8402 | | NRZ0034-100W | NETWORK RESISTOR 10Ω |
| R8054 | | NRSA6AJ-0R0W | MG RESISTOR 0Ω,1/16W | RA8403 | | NRZ0034-100W | NETWORK RESISTOR 10Ω |
| R8055 | | NRSA6AJ-0R0W | MG RESISTOR 0Ω,1/16W | RA8404 | | NRZ0034-100W | NETWORK RESISTOR 10Ω |
| R8101 | | NRSA6AJ-473W | MG RESISTOR 47kΩ,1/16W | C1004 | | NCBA1CK-103W | CAPACITOR 0.01μF,16V |
| R8102 | | NRSA6AJ-0R0W | MG RESISTOR 0Ω,1/16W | C1006 | | NDCA1HJ-130W | CAPACITOR 13pF,50V |
| R8104 | | NRSA6AJ-473W | MG RESISTOR 47kΩ,1/16W | C1007 | | NCBA1CK-103W | CAPACITOR 0.01μF,16V |
| R8105 | | NRSA6AJ-473W | MG RESISTOR 47kΩ,1/16W | C1011 | | NCBA1CK-103W | CAPACITOR 0.01μF,16V |
| R8106 | | NRSA6AJ-221W | MG RESISTOR 220Ω,1/16W | C1013 | | NCBA1CK-103W | CAPACITOR 0.01μF,16V |
| R8107 | | NRSA6AJ-221W | MG RESISTOR 220Ω,1/16W | C1015 | | NCBA1CK-103W | CAPACITOR 0.01μF,16V |
| R8108 | | NRSA6AJ-473W | MG RESISTOR 47kΩ,1/16W | C1016 | | NCBA1CK-103W | CAPACITOR 0.01μF,16V |
| R8109 | | NRSA6AJ-0R0W | MG RESISTOR 0Ω,1/16W | C1017 | | NCBA1CK-103W | CAPACITOR 0.01μF,16V |
| R8110 | | NRSA6AJ-473W | MG RESISTOR 47kΩ,1/16W | C1018 | | NCBA1CK-103W | CAPACITOR 0.01μF,16V |
| R8111 | | NRSA6AJ-0R0W | MG RESISTOR 0Ω,1/16W | C1019 | | NCBA1CK-103W | CAPACITOR 0.01μF,16V |
| R8112 | | NRSA6AJ-0R0W | MG RESISTOR 0Ω,1/16W | C1023 | | NCFA1AZ-104W | CAPACITOR 0.1μF,10V |
| R8113 | | NRSA6AJ-0R0W | MG RESISTOR 0Ω,1/16W | C1026 | | NCFA1AZ-104W | CAPACITOR 0.1μF,10V |
| R8115 | | NRSA6AJ-221W | MG RESISTOR 220Ω,1/16W | C1027 | | NCBA1CK-103W | CAPACITOR 0.01μF,16V |
| R8116 | | NRSA6AJ-473W | MG RESISTOR 47kΩ,1/16W | C1028 | | NCBA1CK-103W | CAPACITOR 0.01μF,16V |
| R8117 | | NRSA6AJ-473W | MG RESISTOR 47kΩ,1/16W | C1029 | | NCBA1CK-103W | CAPACITOR 0.01μF,16V |
| R8118 | | NRSA6AJ-221W | MG RESISTOR 220Ω,1/16W | C1030 | | NCBA1CK-103W | CAPACITOR 0.01μF,16V |
| R8119 | | NRSA6AJ-473W | MG RESISTOR 47kΩ,1/16W | C1031 | | NCF31AZ-105X | CAPACITOR 1μF,10V |
| R8120 | | NRSA6AJ-221W | MG RESISTOR 220Ω,1/16W | C1034 | | NCBA1CK-103W | CAPACITOR 0.01μF,16V |
| R8121 | | NRSA6AJ-0R0W | MG RESISTOR 0Ω,1/16W | C1036 | | NCBA1CK-103W | CAPACITOR 0.01μF,16V |
| R8122 | | NRSA6AJ-105W | MG RESISTOR 1MΩ,1/16W | C1037 | | NCBA1CK-103W | CAPACITOR 0.01μF,16V |
| R8124 | | NRSA6AJ-472W | MG RESISTOR 4.7kΩ,1/16W | C1038 | | NCBA1CK-103W | CAPACITOR 0.01μF,16V |
| R8128 | | NRSA6AJ-472W | MG RESISTOR 4.7kΩ,1/16W | C1101 | | NCBA1AK-104W | CAPACITOR 0.1μF,10V |
| R8129 | | NRSA6AJ-105W | MG RESISTOR 1MΩ,1/16W | C1102 | | NCBA1CK-223W | CAPACITOR 0.022μF,16V |
| R8130 | | NRSA6AJ-101W | MG RESISTOR 100Ω,1/16W | C1103 | | NCBA1CK-223W | CAPACITOR 0.022μF,16V |
| R8131 | | NRSA6AJ-0R0W | MG RESISTOR 0Ω,1/16W | C1111 | | NCB30JK-105X | CAPACITOR 1μF,6.3V |
| R8132 | | NRSA6AJ-680W | MG RESISTOR 68Ω,1/16W | C1112 | | NBE90JM-106X | T CAPACITOR 10μF,6.3V |
| R8133 | | NRSA6AJ-0R0W | MG RESISTOR 0Ω,1/16W | C1113 | | NBE90JM-106X | T CAPACITOR 10μF,6.3V |
| R8134 | | NRSA6AJ-0R0W | MG RESISTOR 0Ω,1/16W | C1401 | | NDCA1HJ-150W | CAPACITOR 15pF,50V |
| R8135 | | NRSA6AJ-0R0W | MG RESISTOR 0Ω,1/16W | C1402 | | NDCA1HJ-150W | CAPACITOR 15pF,50V |

| # | △ REF No. | PART No. | PART NAME, DESCRIPTION | # | △ REF No. | PART No. | PART NAME, DESCRIPTION |
|-------|-----------|--------------|------------------------|-------|-----------|--------------|------------------------|
| C1403 | | NCBA1AK-104W | CAPACITOR 0.1μF,10V | C3032 | | NCBA1HK-102W | CAPACITOR 0.001μF,50V |
| C1404 | | NCBA1AK-104W | CAPACITOR 0.1μF,10V | C3033 | | NDC31HJ-470X | CAPACITOR 47pF,50V |
| C1405 | | NCBA1AK-104W | CAPACITOR 0.1μF,10V | C3034 | | NCBA1HK-102W | CAPACITOR 0.001μF,50V |
| C1406 | | NCBA1AK-104W | CAPACITOR 0.1μF,10V | C3035 | | NDC31HJ-390X | CAPACITOR 39pF,50V |
| C1407 | | NCBA1AK-104W | CAPACITOR 0.1μF,10V | C3038 | | NCBA1AK-104W | CAPACITOR 0.1μF,10V |
| C1414 | | NCBA1CK-103W | CAPACITOR 0.01μF,16V | C3039 | | NCBA1AK-104W | CAPACITOR 0.1μF,10V |
| C1415 | | NCBA1CK-103W | CAPACITOR 0.01μF,16V | C3040 | | NCBA1AK-104W | CAPACITOR 0.1μF,10V |
| C1416 | | NCBA1CK-103W | CAPACITOR 0.01μF,16V | C3041 | | NCBA1AK-104W | CAPACITOR 0.1μF,10V |
| C1417 | | NCBA1CK-223W | CAPACITOR 0.022μF,16V | C3042 | | NCBA1CK-103W | CAPACITOR 0.01μF,16V |
| C1418 | | NCBA1CK-223W | CAPACITOR 0.022μF,16V | C3043 | | NCBA1CK-103W | CAPACITOR 0.01μF,16V |
| C1419 | | NCBA1CK-223W | CAPACITOR 0.022μF,16V | C3044 | | NCBA1AK-104W | CAPACITOR 0.1μF,10V |
| C1420 | | NCBA1CK-223W | CAPACITOR 0.022μF,16V | C3045 | | NCBA1AK-104W | CAPACITOR 0.1μF,10V |
| C1601 | | NCBA1CK-103W | CAPACITOR 0.01μF,16V | C3046 | | NCBA1CK-103W | CAPACITOR 0.01μF,16V |
| C1602 | | NBE90JM-106X | T CAPACITOR 10μF,6.3V | C3047 | | NCBA1AK-104W | CAPACITOR 0.1μF,10V |
| C1603 | | NBE21AM-106X | T CAPACITOR 10μF,10V | C3051 | | NCBA1AK-104W | CAPACITOR 0.1μF,10V |
| C1605 | | NCBA1AK-104W | CAPACITOR 0.1μF,10V | C3052 | | NCBA1HK-331W | CAPACITOR 330pF,50V |
| C1606 | | NCBA1HK-152W | CAPACITOR 0.0015μF,50V | C3053 | | NCBA1AK-473W | CAPACITOR 0.047μF,10V |
| C1607 | | NCBA1AK-473W | CAPACITOR 0.047μF,10V | C3056 | | NCB30JK-105X | CAPACITOR 1μF,6.3V |
| C1614 | | NBE21AM-106X | T CAPACITOR 10μF,10V | C3057 | | NCBA1CK-103W | CAPACITOR 0.01μF,16V |
| C1618 | | NCBA1HK-222W | CAPACITOR 0.0022μF,50V | C3058 | | NCBA1CK-103W | CAPACITOR 0.01μF,16V |
| C1619 | | NCBA1HK-222W | CAPACITOR 0.0022μF,50V | C3060 | | NCB31CK-104X | CAPACITOR 0.1μF,16V |
| C1620 | | NCBA1HK-222W | CAPACITOR 0.0022μF,50V | C3061 | | NCB30JK-105X | CAPACITOR 1μF,6.3V |
| C1621 | | NCB21AK-105X | CAPACITOR 1μF,10V | C3062 | | NCBA1AK-104W | CAPACITOR 0.1μF,10V |
| C1622 | | NCBA1CK-223W | CAPACITOR 0.022μF,16V | C3063 | | NCBA1AK-104W | CAPACITOR 0.1μF,10V |
| C1623 | | NCBA1AK-473W | CAPACITOR 0.047μF,10V | C3501 | | NBE90JM-106X | T CAPACITOR 10μF,6.3V |
| C1624 | | NCB31EK-103X | CAPACITOR 0.01μF,25V | C3502 | | NBE90JM-106X | T CAPACITOR 10μF,6.3V |
| C1625 | | NCBA1AK-473W | CAPACITOR 0.047μF,10V | C3503 | | NBE90JM-106X | T CAPACITOR 10μF,6.3V |
| C1626 | | NCBA1HK-331W | CAPACITOR 330pF,50V | C3504 | | NCBA1AK-473W | CAPACITOR 0.047μF,10V |
| C1627 | | NCBA1CK-822W | CAPACITOR 0.0082μF,16V | C3505 | | NCBA1CK-223W | CAPACITOR 0.022μF,16V |
| C1628 | | NCB21CK-224X | CAPACITOR 0.22μF,16V | C3506 | | NCB30JK-105X | CAPACITOR 1μF,6.3V |
| C1632 | | NBE90JM-106X | T CAPACITOR 10μF,6.3V | C3507 | | NCBA1CK-103W | CAPACITOR 0.01μF,16V |
| C1633 | | NCF21CZ-684X | CAPACITOR 0.68μF,16V | C3508 | | NCBA1CK-103W | CAPACITOR 0.01μF,16V |
| C1635 | | NCBA1AK-104W | CAPACITOR 0.1μF,10V | C3509 | | NCBA1CK-103W | CAPACITOR 0.01μF,16V |
| C1641 | | NCB31AK-474X | CAPACITOR 0.47μF,10V | C3510 | | NCBA1AK-104W | CAPACITOR 0.1μF,10V |
| C1701 | | NCBA1AK-104W | CAPACITOR 0.1μF,10V | C3511 | | NCBA1CK-103W | CAPACITOR 0.01μF,16V |
| C1702 | | NCBA1AK-104W | CAPACITOR 0.1μF,10V | C3512 | | NCB31CK-104X | CAPACITOR 0.1μF,16V |
| C2701 | | NBE90JM-106X | T CAPACITOR 10μF,6.3V | C3513 | | NCBA1AK-104W | CAPACITOR 0.1μF,10V |
| C2907 | | NCB30JK-105X | CAPACITOR 1μF,6.3V | C3514 | | NCBA1AK-473W | CAPACITOR 0.047μF,10V |
| C3001 | | NBE90JM-106X | T CAPACITOR 10μF,6.3V | C3515 | | NCBA1AK-473W | CAPACITOR 0.047μF,10V |
| C3003 | | NCB30JK-105X | CAPACITOR 1μF,6.3V | C3516 | | NCBA1AK-473W | CAPACITOR 0.047μF,10V |
| C3004 | | NCB30JK-105X | CAPACITOR 1μF,6.3V | C3517 | | NCBA1CK-103W | CAPACITOR 0.01μF,16V |
| C3005 | | NBE90JM-106X | T CAPACITOR 10μF,6.3V | C3518 | | NCBA1CK-103W | CAPACITOR 0.01μF,16V |
| C3007 | | NCB30JK-105X | CAPACITOR 1μF,6.3V | C3519 | | NCBA1HK-102W | CAPACITOR 0.001μF,50V |
| C3008 | | NBE90JM-106X | T CAPACITOR 10μF,6.3V | C3520 | | NCBA1AK-104W | CAPACITOR 0.1μF,10V |
| C3011 | | NCBA1AK-104W | CAPACITOR 0.1μF,10V | C3521 | | NCBA1AK-104W | CAPACITOR 0.1μF,10V |
| C3012 | | NCBA1AK-104W | CAPACITOR 0.1μF,10V | C3522 | | NBE90JM-475X | T CAPACITOR 4.7μF,6.3V |
| C3013 | | NCBA1CK-103W | CAPACITOR 0.01μF,16V | C3523 | | NCBA1CK-103W | CAPACITOR 0.01μF,16V |
| C3014 | | NCBA1CK-103W | CAPACITOR 0.01μF,16V | C3524 | | NCBA1AK-104W | CAPACITOR 0.1μF,10V |
| C3015 | | NCBA1CK-103W | CAPACITOR 0.01μF,16V | C3525 | | NBE90JM-475X | T CAPACITOR 4.7μF,6.3V |
| C3016 | | NCBA1AK-104W | CAPACITOR 0.1μF,10V | C3526 | | NCBA1CK-103W | CAPACITOR 0.01μF,16V |
| C3017 | | NCBA1AK-104W | CAPACITOR 0.1μF,10V | C3527 | | NDCA1EJ-221W | CAPACITOR 220pF,25V |
| C3020 | | NCBA1AK-104W | CAPACITOR 0.1μF,10V | C3701 | | NBE90JM-106X | T CAPACITOR 10μF,6.3V |
| C3021 | | NCBA1AK-104W | CAPACITOR 0.1μF,10V | C3702 | | NDCA1HJ-151W | CAPACITOR 150pF,50V |
| C3022 | | NCBA1AK-104W | CAPACITOR 0.1μF,10V | C3703 | | NDCA1HJ-330W | CAPACITOR 33pF,50V |
| C3023 | | NDC31HJ-330X | CAPACITOR 33pF,50V | C3704 | | NDCA1HJ-101W | CAPACITOR 100pF,50V |
| C3024 | | NCBA1HK-102W | CAPACITOR 0.001μF,50V | C3705 | | NDCA1HJ-330W | CAPACITOR 33pF,50V |
| C3025 | | NCBA1AK-104W | CAPACITOR 0.1μF,10V | C3706 | | NCBA1CK-103W | CAPACITOR 0.01μF,16V |
| C3026 | | NCB30JK-105X | CAPACITOR 1μF,6.3V | C3707 | | NCFA1AZ-104W | CAPACITOR 0.1μF,10V |
| C3027 | | NCBA1EK-472W | CAPACITOR 0.0047μF,25V | C3708 | | NCB30JK-105X | CAPACITOR 1μF,6.3V |
| C3028 | | NDCA1EJ-271W | CAPACITOR 270pF,25V | C3709 | | NCBA1CK-103W | CAPACITOR 0.01μF,16V |
| C3029 | | NCBA1CK-103W | CAPACITOR 0.01μF,16V | C3710 | | NCBA1CK-103W | CAPACITOR 0.01μF,16V |
| C3030 | | NCBA1AK-104W | CAPACITOR 0.1μF,10V | C3711 | | NBE90GM-226X | T CAPACITOR 22μF,4.0V |
| C3031 | | NCBA1AK-104W | CAPACITOR 0.1μF,10V | C3712 | | NBE40GM-107X | T CAPACITOR 100μF,4.0V |

| # | △ REF No. | PART No. | PART NAME, DESCRIPTION | # | △ REF No. | PART No. | PART NAME, DESCRIPTION |
|-------|-----------|--------------|------------------------|-------|-----------|--------------|------------------------|
| C4201 | | NBE40GM-107X | T CAPACITOR | C5503 | | NCBA1AK-104W | CAPACITOR |
| C4202 | | NCBA1AK-104W | CAPACITOR | C5504 | | NCBA1AK-104W | CAPACITOR |
| C4203 | | NCB30JK-105X | CAPACITOR | C5505 | | NCBA1AK-104W | CAPACITOR |
| C4204 | | NCBA1AK-104W | CAPACITOR | C5506 | | NBE20GM-476X | T CAPACITOR |
| C4205 | | NCBA1AK-104W | CAPACITOR | C5507 | | NCBA1AK-104W | CAPACITOR |
| C4206 | | NCB21CK-105X | CAPACITOR | C5508 | | NCBA1AK-104W | CAPACITOR |
| C4207 | | NCBA1AK-104W | CAPACITOR | C5509 | | NCBA1AK-104W | CAPACITOR |
| C4208 | | NCBA1HK-392W | CAPACITOR | C5510 | | NBP21VM-105X | T CAPACITOR |
| C4209 | | NCB21CK-105X | CAPACITOR | C5511 | | NBP21DM-475X | T CAPACITOR |
| C4210 | | NCBA1AK-104W | CAPACITOR | C5512 | | NBE21AM-106X | T CAPACITOR |
| C4211 | | NCBA1AK-104W | CAPACITOR | C5513 | | NCB31CK-104X | CAPACITOR |
| C4212 | | NCBA1AK-104W | CAPACITOR | C5514 | | NCBA1AK-104W | CAPACITOR |
| C4213 | | NCBA1AK-104W | CAPACITOR | C5515 | | NCBA1AK-104W | CAPACITOR |
| C4214 | | NCBA1AK-104W | CAPACITOR | C5516 | | NCBA1AK-104W | CAPACITOR |
| C4215 | | NCBA1AK-104W | CAPACITOR | C5517 | | NCB31CK-104X | CAPACITOR |
| C4216 | | NCBA1AK-104W | CAPACITOR | C5518 | | NCBA1AK-104W | CAPACITOR |
| C4301 | | NCBA1AK-104W | CAPACITOR | C5519 | | NCBA1AK-104W | CAPACITOR |
| C4303 | | NCBA1AK-104W | CAPACITOR | C6001 | | NCBA1AK-104W | CAPACITOR |
| C4304 | | NCBA1AK-104W | CAPACITOR | C6002 | | NCBA1CK-103W | CAPACITOR |
| C4305 | | NBE90JM-106X | T CAPACITOR | C6003 | | NCBA1AK-104W | CAPACITOR |
| C4306 | | NCBA1AK-104W | CAPACITOR | C6004 | | NBE90JM-106X | T CAPACITOR |
| C4307 | | NBE90JM-106X | T CAPACITOR | C6005 | | NBP21CM-685X | T CAPACITOR |
| C4308 | | NCBA1AK-104W | CAPACITOR | C6006 | | NCF31AZ-105X | CAPACITOR |
| C4309 | | NCBA1AK-104W | CAPACITOR | C6007 | | NBE90JM-106X | T CAPACITOR |
| C4310 | | NBE90JM-106X | T CAPACITOR | C6008 | | NCBA1AK-104W | CAPACITOR |
| C4311 | | NCB30JK-105X | CAPACITOR | C6009 | | NCBA1CK-103W | CAPACITOR |
| C4312 | | NCBA1AK-104W | CAPACITOR | C6101 | | NCB21CK-105X | CAPACITOR |
| C4313 | | NBE90GM-226X | T CAPACITOR | C6102 | | NCB21CK-105X | CAPACITOR |
| C4314 | | NCBA1AK-104W | CAPACITOR | C6103 | | NBPE1CM-106X | T CAPACITOR |
| C4315 | | NBE90JM-106X | T CAPACITOR | C6104 | | NCBA1AK-104W | CAPACITOR |
| C4317 | | NCBA1AK-104W | CAPACITOR | C6105 | | NCF31AZ-105X | CAPACITOR |
| C4318 | | NCBA1AK-104W | CAPACITOR | C6106 | | NCBA1CK-103W | CAPACITOR |
| C4319 | | NCBA1AK-104W | CAPACITOR | C6107 | | NCB21CK-105X | CAPACITOR |
| C4320 | | NCBA1AK-104W | CAPACITOR | C6108 | | NCF31AZ-105X | CAPACITOR |
| C4321 | | NCBA1AK-104W | CAPACITOR | C6109 | | NCBA1EK-472W | CAPACITOR |
| C4322 | | NCBA1AK-104W | CAPACITOR | C6110 | | NCBA1AK-104W | CAPACITOR |
| C4324 | | NBE90JM-106X | T CAPACITOR | C6111 | | NCBA1AK-104W | CAPACITOR |
| C4325 | | NCBA1AK-104W | CAPACITOR | C6112 | | NCBA1HK-272W | CAPACITOR |
| C4327 | | NCBA1AK-104W | CAPACITOR | C6113 | | NCBA1EK-472W | CAPACITOR |
| C4328 | | NCBA1AK-104W | CAPACITOR | C6114 | | NCBA1AK-104W | CAPACITOR |
| C4329 | | NCBA1AK-104W | CAPACITOR | C6115 | | NCBA1HK-561W | CAPACITOR |
| C4330 | | NCBA1AK-104W | CAPACITOR | C6116 | | NCBA1HK-561W | CAPACITOR |
| C4331 | | NBE90JM-106X | T CAPACITOR | C6117 | | NCBA1HK-102W | CAPACITOR |
| C4332 | | NCBA1AK-104W | CAPACITOR | C6118 | | NCBA1HK-102W | CAPACITOR |
| C4333 | | NCBA1AK-104W | CAPACITOR | C6120 | | NCBA1CK-103W | CAPACITOR |
| C4334 | | NCBA1AK-104W | CAPACITOR | C6121 | | NCBA1HK-102W | CAPACITOR |
| C4335 | | NCBA1AK-104W | CAPACITOR | C6122 | | NDCA1HJ-101W | CAPACITOR |
| C4336 | | NCBA1AK-104W | CAPACITOR | C6123 | | NBE90JM-106X | T CAPACITOR |
| C4337 | | NCBA1AK-104W | CAPACITOR | C6124 | | NCF31AZ-105X | CAPACITOR |
| C4338 | | NCBA1AK-104W | CAPACITOR | C6125 | | NCB21CK-105X | CAPACITOR |
| C4339 | | NCBA1AK-104W | CAPACITOR | C6126 | | NCB10JK-106X | CAPACITOR |
| C4340 | | NCBA1AK-104W | CAPACITOR | C6127 | | NCB21CK-105X | CAPACITOR |
| C4341 | | NCBA1AK-104W | CAPACITOR | C6128 | | NCB10JK-106X | CAPACITOR |
| C4342 | | NCBA1AK-104W | CAPACITOR | C6129 | | NCB21CK-105X | CAPACITOR |
| C4343 | | NCBA1AK-104W | CAPACITOR | C6130 | | NCB21CK-105X | CAPACITOR |
| C4344 | | NCBA1AK-104W | CAPACITOR | C6132 | | NCB21CK-105X | CAPACITOR |
| C4345 | | NCBA1AK-104W | CAPACITOR | C6133 | | NCB21AK-225X | CAPACITOR |
| C4346 | | NCBA1AK-104W | CAPACITOR | C6135 | | NCB21CK-105X | CAPACITOR |
| C4347 | | NCBA1AK-104W | CAPACITOR | C6136 | | NCB10JK-106X | CAPACITOR |
| C4348 | | NCBA1AK-104W | CAPACITOR | C6137 | | NCB21CK-105X | CAPACITOR |
| C4349 | | NCBA1AK-104W | CAPACITOR | C6138 | | NCB21CK-105X | CAPACITOR |
| C4350 | | NCBA1AK-104W | CAPACITOR | C6139 | | NCB21CK-105X | CAPACITOR |
| C5501 | | NCBA1AK-104W | CAPACITOR | C6140 | | NCB11EK-105X | CAPACITOR |

| # | △ REF No. | PART No. | PART NAME, DESCRIPTION | | # | △ REF No. | PART No. | PART NAME, DESCRIPTION | |
|-------|-----------|--------------|------------------------|--------------|-------|-----------|--------------|------------------------|--------------|
| C6141 | | NCB11EK-105X | CAPACITOR | 1μF,25V | C7838 | | NBE90JM-106X | T CAPACITOR | 10μF,6.3V |
| C6142 | | NCB21CK-105X | CAPACITOR | 1μF,16V | C7839 | | NCB21CK-105X | CAPACITOR | 1μF,16V |
| C6143 | | NCBA1CK-103W | CAPACITOR | 0.01μF,16V | C7841 | | NBE90JM-106X | T CAPACITOR | 10μF,6.3V |
| C6144 | | NCBA1AK-104W | CAPACITOR | 0.1μF,10V | C8001 | | NBE90JM-106X | T CAPACITOR | 10μF,6.3V |
| C6145 | | NCB21CK-105X | CAPACITOR | 1μF,16V | C8003 | | NCBA1CK-103W | CAPACITOR | 0.01μF,16V |
| C6147 | | NCB31AK-224X | CAPACITOR | 0.22μF,10V | C8006 | | NCBA1AK-104W | CAPACITOR | 0.1μF,10V |
| C6148 | | NCBA1AK-683W | CAPACITOR | 0.068μF,10V | C8007 | | NBE90JM-106X | T CAPACITOR | 10μF,6.3V |
| C6149 | | NCB21CK-105X | CAPACITOR | 1μF,16V | C8008 | | NCB30JK-105X | CAPACITOR | 1μF,6.3V |
| C7401 | | NCB21AK-105X | CAPACITOR | 1μF,10V | C8009 | | NCBA1AK-104W | CAPACITOR | 0.1μF,10V |
| C7403 | | NCBA1AK-104W | CAPACITOR | 0.1μF,10V | C8010 | | NBE90JM-106X | T CAPACITOR | 10μF,6.3V |
| C7404 | | NCBA1AK-104W | CAPACITOR | 0.1μF,10V | C8011 | | NCB30JK-105X | CAPACITOR | 1μF,6.3V |
| C7405 | | NCB31HK-103X | CAPACITOR | 0.01μF,50V | C8017 | | NCBA1AK-104W | CAPACITOR | 0.1μF,10V |
| C7406 | | NCB21CK-105X | CAPACITOR | 1μF,16V | C8020 | | NBE90JM-106X | T CAPACITOR | 10μF,6.3V |
| C7407 | | NCB21CK-105X | CAPACITOR | 1μF,16V | C8021 | | NCBA1CK-103W | CAPACITOR | 0.01μF,16V |
| C7408 | | NCB21CK-105X | CAPACITOR | 1μF,16V | C8022 | | NCB30JK-105X | CAPACITOR | 1μF,6.3V |
| C7411 | | NCB21CK-105X | CAPACITOR | 1μF,16V | C8043 | | NCBA1CK-103W | CAPACITOR | 0.01μF,16V |
| C7413 | | NBP41DM-106X | T CAPACITOR | 10μF,20V | C8044 | | NBE90GM-226X | T CAPACITOR | 22μF,4.0V |
| C7414 | | NCBA1CK-103W | CAPACITOR | 0.01μF,16V | C8045 | | NBE90GM-226X | T CAPACITOR | 22μF,4.0V |
| C7415 | | NBE20GM-476X | T CAPACITOR | 47μF,4.0V | C8046 | | NBE90JM-106X | T CAPACITOR | 10μF,6.3V |
| C7416 | | NCBA1CK-103W | CAPACITOR | 0.01μF,16V | C8049 | | NCBA1CK-103W | CAPACITOR | 0.01μF,16V |
| C7418 | | NCBA1AK-104W | CAPACITOR | 0.1μF,10V | C8050 | | NCBA1CK-103W | CAPACITOR | 0.01μF,16V |
| C7419 | | NCBA1AK-104W | CAPACITOR | 0.1μF,10V | C8051 | | NBE90GM-226X | T CAPACITOR | 22μF,4.0V |
| C7420 | | NCBA1AK-104W | CAPACITOR | 0.1μF,10V | C8052 | | NCBA1CK-103W | CAPACITOR | 0.01μF,16V |
| C7421 | | NDCA1HJ-300W | CAPACITOR | 30pF,50V | C8054 | | NCB31HK-392X | CAPACITOR | 0.0039μF,50V |
| C7422 | | NDCA1EJ-221W | CAPACITOR | 220pF,25V | C8064 | | NBE90GM-226X | T CAPACITOR | 22μF,4.0V |
| C7423 | | NCBA1CK-103W | CAPACITOR | 0.01μF,16V | C8101 | | NBE90JM-106X | T CAPACITOR | 10μF,6.3V |
| C7424 | | NCBA1EK-682W | CAPACITOR | 0.0068μF,25V | C8103 | | NCBA1CK-103W | CAPACITOR | 0.01μF,16V |
| C7425 | | NBE91AM-335X | T CAPACITOR | 3.3μF,10V | C8104 | | NCBA1CK-103W | CAPACITOR | 0.01μF,16V |
| C7427 | | NBP41DM-106X | T CAPACITOR | 10μF,20V | C8105 | | NCBA1CK-103W | CAPACITOR | 0.01μF,16V |
| C7429 | | NBE21AM-106X | T CAPACITOR | 10μF,10V | C8106 | | NCBA1CK-103W | CAPACITOR | 0.01μF,16V |
| C7430 | | NCBA1CK-103W | CAPACITOR | 0.01μF,16V | C8107 | | NCBA1CK-103W | CAPACITOR | 0.01μF,16V |
| C7431 | | NBE90JM-106X | T CAPACITOR | 10μF,6.3V | C8108 | | NCBA1CK-103W | CAPACITOR | 0.01μF,16V |
| C7701 | | NCB21EK-104X | CAPACITOR | 0.1μF,25V | C8109 | | NCBA1CK-103W | CAPACITOR | 0.01μF,16V |
| C7702 | | NBP41VM-335X | T CAPACITOR | 3.3μF,35V | C8110 | | NCBA1CK-103W | CAPACITOR | 0.01μF,16V |
| C7802 | | NRSA6AJ-122W | MG RESISTOR | 1.2kΩ, 1/16W | C8111 | | NCBA1CK-103W | CAPACITOR | 0.01μF,16V |
| C7803 | | NDCA1HJ-300W | CAPACITOR | 30pF,50V | C8112 | | NCBA1CK-103W | CAPACITOR | 0.01μF,16V |
| C7804 | | NCBA1CK-103W | CAPACITOR | 0.01μF,16V | C8113 | | NCBA1CK-103W | CAPACITOR | 0.01μF,16V |
| C7805 | | NCBA1EK-682W | CAPACITOR | 0.0068μF,25V | C8114 | | NCBA1CK-103W | CAPACITOR | 0.01μF,16V |
| C7806 | | NBE91AM-335X | T CAPACITOR | 3.3μF,10V | C8115 | | NCBA1CK-103W | CAPACITOR | 0.01μF,16V |
| C7807 | | NDCA1EJ-221W | CAPACITOR | 220pF,25V | C8116 | | NCBA1CK-103W | CAPACITOR | 0.01μF,16V |
| C7808 | | NCBA1AK-104W | CAPACITOR | 0.1μF,10V | C8117 | | NDCA1HJ-5R0W | CAPACITOR | 5pF,50V |
| C7809 | | NCBA1CK-103W | CAPACITOR | 0.01μF,16V | C8118 | | NDCA1HJ-5R0W | CAPACITOR | 5pF,50V |
| C7810 | | NCB21CK-105X | CAPACITOR | 1μF,16V | C8119 | | NCBA1CK-103W | CAPACITOR | 0.01μF,16V |
| C7811 | | NCB21CK-105X | CAPACITOR | 1μF,16V | C8401 | | NBE90JM-106X | T CAPACITOR | 10μF,6.3V |
| C7812 | | NCB21CK-105X | CAPACITOR | 1μF,16V | C8402 | | NCBA1AK-104W | CAPACITOR | 0.1μF,10V |
| C7816 | | NCB21CK-105X | CAPACITOR | 1μF,16V | C8403 | | NCBA1AK-104W | CAPACITOR | 0.1μF,10V |
| C7817 | | NCBA1AK-104W | CAPACITOR | 0.1μF,10V | C8404 | | NCBA1AK-104W | CAPACITOR | 0.1μF,10V |
| C7818 | | NCBA1CK-103W | CAPACITOR | 0.01μF,16V | C8408 | | NBE90JM-106X | T CAPACITOR | 10μF,6.3V |
| C7819 | | NBP41DM-106X | T CAPACITOR | 10μF,20V | L1002 | | NQR0129-002X | FERRITE BEAD | |
| C7820 | | NCBA1AK-104W | CAPACITOR | 0.1μF,10V | L1101 | | NQL402M-100X | COIL | 10μH |
| C7821 | | NBE90JM-106X | T CAPACITOR | 10μF,6.3V | L1401 | | NQR0006-001X | FERRITE BEAD | |
| C7822 | | NBE20GM-476X | T CAPACITOR | 47μF,4.0V | L1601 | | NQL315M-1R0X | COIL | 1.0μH |
| C7823 | | NCBA1AK-104W | CAPACITOR | 0.1μF,10V | L2701 | | NQR0129-002X | FERRITE BEAD | |
| C7825 | | NCBA1AK-104W | CAPACITOR | 0.1μF,10V | L3001 | | NQR0006-001X | FERRITE BEAD | |
| C7826 | | NCBA1AK-104W | CAPACITOR | 0.1μF,10V | L3002 | | NQR0129-002X | FERRITE BEAD | |
| C7827 | | NCBA1AK-104W | CAPACITOR | 0.1μF,10V | L3003 | | NQR0129-002X | FERRITE BEAD | |
| C7828 | | NBP21DM-475X | T CAPACITOR | 4.7μF,20V | L3004 | | NQR0006-001X | FERRITE BEAD | |
| C7829 | | NCB21CK-105X | CAPACITOR | 1μF,16V | L3005 | | NQR0129-002X | FERRITE BEAD | |
| C7830 | | NCBA1AK-104W | CAPACITOR | 0.1μF,10V | L3006 | | NQR0006-001X | FERRITE BEAD | |
| C7831 | | NCBA1AK-104W | CAPACITOR | 0.1μF,10V | L3007 | | NQL085J-2R2X | COIL | 2.2μH |
| C7832 | | NCBA1CK-103W | CAPACITOR | 0.01μF,16V | L3008 | | NQL085J-120X | COIL | 12μH |
| C7833 | | NCB21CK-105X | CAPACITOR | 1μF,16V | L3009 | | NQL085J-120X | COIL | 12μH |
| C7836 | | NBE90JM-106X | T CAPACITOR | 10μF,6.3V | L3010 | | NQR0383-003X | COIL | |

| # | △ REF No. | PART No. | PART NAME, DESCRIPTION | # | △ REF No. | PART No. | PART NAME, DESCRIPTION | |
|-------|-----------|--------------|------------------------|---------|----------------------------------------|------------------|------------------------|-----------|
| L3011 | | NQR0383-003X | COIL | J101 | | QNZ0518-002 | D CONNECTOR | |
| L3012 | | NQR0006-001X | FERRITE BEAD | CN101 | | QGF0517F1-08X | FPC CONNECTOR | |
| L3013 | | NQR0006-001X | FERRITE BEAD | CN102 | | QGF0517F1-06X | FPC CONNECTOR | |
| L3501 | | NQR0129-002X | FERRITE BEAD | CN103 | | QGF0517F1-06X | FPC CONNECTOR | |
| L3502 | | NQL402M-100X | COIL | 10μH | CN104 | QGF0517F2-11X | FPC CONNECTOR | |
| L3503 | | NQR0006-001X | FERRITE BEAD | CN105 | | QGF0517F2-18X | FPC CONNECTOR | |
| L3504 | | NQR0006-001X | FERRITE BEAD | CN106 | | QGF0517F2-16X | FPC CONNECTOR | |
| L3505 | | NQR0006-001X | FERRITE BEAD | CN107 | | QGB0404M1-50X | CONNECTOR | |
| L3701 | | NQL38DK-100X | COIL | 10μH | CN108 | QGA1001F1-02X | CONNECTOR | |
| L4201 | | NQR0129-002X | FERRITE BEAD | CN109 | | QGF0520F2-13X | FFC/FPC CONNECTOR | |
| L4301 | | NQR0129-002X | FERRITE BEAD | CN110 | | QGB0405L1-C0X | CONNECTOR | |
| L4302 | | NQR0129-002X | FERRITE BEAD | CN111 | | QGF0517F1-20X | FPC CONNECTOR | |
| L4303 | | NQL38DK-100X | COIL | 10μH | CN112 | QGF0517F1-07X | FPC CONNECTOR | |
| L4304 | | NQL38DK-220X | COIL | 22μH | CN113 | QGF0306F1-39X | FPC CONNECTOR | |
| L4305 | | NQR0129-002X | FERRITE BEAD | CN114 | | QGB0512L4-40X | CONNECTOR | |
| L4306 | | NQR0129-002X | FERRITE BEAD | △ F6101 | | NMFZ007-2R0X-K | FUSE | T2.0A,50V |
| L4307 | | NQL38DK-100X | COIL | 10μH | △ F6102 | NMFZ007-2R0X-K | FUSE | T2.0A,50V |
| L5501 | | NQL38DK-100X | COIL | 10μH | △ F6103 | NMFZ007-1R0X-K | FUSE | T1.0A,32V |
| L5502 | | NQR0129-002X | FERRITE BEAD | OT1 | | LY30029-0J6A | SPACER(A) | |
| L5503 | | NQR0129-002X | FERRITE BEAD | OT2 | | LY30029-0K2A | SPACER(A) | |
| L5504 | | NQR0129-002X | FERRITE BEAD | OT3 | | LY30029-0K3A | SPACER(A),A | |
| L5505 | | NQL38DK-100X | COIL | 10μH | | LY30029-0K3B | SPACER(A),B,C,D | |
| L5506 | | NQL38DK-100X | COIL | 10μH | OT4 | LY30029-0P5A | SPACER(A),A | |
| L6001 | | NQL402M-100X | COIL | 10μH | | LY30029-0P5B | SPACER(A),B | |
| L6101 | | NQL58EM-100X | COIL | 10μH | | LY30029-0Q9A | SPACER(A),C,D | |
| L6102 | | NQL58EM-100X | COIL | 10μH | OT5 | LY30029-0P4A | SPACER(A) | |
| L6103 | | NQLZ010-390X | COIL | 39μH | OT6 | LY30029-0P9A | SPACER(A),A,B | |
| L6104 | | NQL58EM-390X | COIL | 39μH | | LY30029-0P9B | SPACER(A),C,D | |
| L6105 | | NQL58EM-390X | COIL | 39μH | OT7 | LY43230-001A | SHEET(DV) | |
| L6106 | | NQL58EM-220X | COIL | 22μH | SD1 | LY32271-001A | SHIELD CASE(PR),A | |
| L6107 | | NQL58EM-330X | COIL | 33μH | | LY32271-001B | SHIELD CASE(PR),B,C,D | |
| L6108 | | NQLZ011-221X | COIL | 220μH | ***** | | | |
| L6109 | | NQL144K-220X | COIL | 22μH | AUDIO BOARD ASSEMBLY <02> | | | |
| L7401 | | NQL025J-100X | COIL | 10μH | PW | YB10328A-01 | AUDIO BOARD ASSY | |
| L7402 | | NQL38DK-220X | COIL | 22μH | IC2101 | AK4550VT | IC | |
| L7403 | | NQL38DK-220X | COIL | 22μH | IC2151 | AK4550VT | IC | |
| L7404 | | NQL38DK-220X | COIL | 22μH | IC2201 | LA74206W | IC | |
| L7701 | | NQL38DK-220X | COIL | 22μH | IC2301 | BA4510FV | IC | |
| L7801 | | NQL38DK-220X | COIL | 22μH | IC4802 | TA75W01FU | IC | |
| L7802 | | NQL38DK-220X | COIL | 22μH | IC4803 | TA75W01FU | IC | |
| L7803 | | NQL025J-3R9X | COIL | 3.9μH | IC4804 | NJM3414AV | IC | |
| L7805 | | NQL38DK-220X | COIL | 22μH | IC4805 | MM6564XFBE | IC | |
| L8001 | | NQR0129-002X | FERRITE BEAD | IC4806 | TC7S08FU | IC(DIGITAL) | | |
| L8002 | | NQR0129-002X | FERRITE BEAD | IC4851 | UPD16879GS | IC | | |
| L8003 | | NQR0129-002X | FERRITE BEAD | Q1151 | RPM-22PB | PHOTO TRANSISTOR | | |
| L8005 | | NQR0129-002X | FERRITE BEAD | Q2001 | DTC143XE | TRANSISTOR | | |
| L8006 | | NQR0129-002X | FERRITE BEAD | Q2151 | UMX18N | PAIR TRANSISTOR | | |
| L8007 | | NQR0129-002X | FERRITE BEAD | Q2302 | 2SC5658 | TRANSISTOR | | |
| L8008 | | NQR0129-002X | FERRITE BEAD | Q2401 | 2SC5658 | TRANSISTOR | | |
| L8010 | | NQR0129-002X | FERRITE BEAD | Q2402 | 2SA1774/QR/-X | TRANSISTOR | | |
| L8011 | | NQR0129-002X | FERRITE BEAD | Q2403 | DTC144EM | TRANSISTOR | | |
| L8101 | | NQR0006-001X | FERRITE BEAD | Q2601 | 2SC5658 | TRANSISTOR | | |
| L8102 | | NQR0006-001X | FERRITE BEAD | Q2602 | 2SC5658 | TRANSISTOR | | |
| L8401 | | NQR0129-002X | FERRITE BEAD | Q2603 | 2SC5658 | TRANSISTOR | | |
| L8402 | | NQR0129-002X | FERRITE BEAD | Q2604 | 2SC5658 | TRANSISTOR | | |
| X1001 | | NAX0474-001X | C OSCILLATOR | Q2901 | 2SB1121/TU/-X | TRANSISTOR | | |
| X1002 | | NAX0399-001X | CRYSTAL RESONATOR | | or 2SB1121/ST/-X | TRANSISTOR | | |
| X1401 | | NAX0204-001X | CRYSTAL RESONATOR | Q2902 | 2SC5658 | TRANSISTOR | | |
| X5501 | | NAX0303-001X | CXO | Q4801 | 2SC4655/BC/-X | TRANSISTOR | | |
| X8002 | | NAX0354-001X | RESONATOR | Q4802 | 2SC5658 | TRANSISTOR | | |
| X8101 | | NAX0402-001X | CRYSTAL RESONATOR | Q4803 | DTC144EM | TRANSISTOR | | |
| X8401 | | NAX0398-001X | C OSCILLATOR | | | | | |
| S1001 | | NSW0133-001X | PUSH SWITCH,MONI SW | | | | | |
| TB1 | | LY32205-001A | BATTERY TERMINAL UNIT | | | | | |

| # | △ REF No. | PART No. | PART NAME, DESCRIPTION | # | △ REF No. | PART No. | PART NAME, DESCRIPTION |
|---|-----------|---------------|--------------------------|---|-----------|--------------|--------------------------|
| | Q4804 | DTA144EM | TRANSISTOR | | R2406 | NRSA6AJ-103W | MG RESISTOR 10kΩ, 1/16W |
| | Q4805 | 2SC5658 | TRANSISTOR | | R2414 | NRSA6AJ-560W | MG RESISTOR 56Ω, 1/16W |
| | Q4806 | 2SA1774/QR/-X | TRANSISTOR | | R2415 | NRSA6AJ-560W | MG RESISTOR 56Ω, 1/16W |
| | Q4851 | 2SC5658 | TRANSISTOR | | R2601 | NRSA6AJ-182W | MG RESISTOR 1.8kΩ, 1/16W |
| | D2001 | CL-221HR-C-X | LE DIODE | | R2602 | NRSA6AJ-182W | MG RESISTOR 1.8kΩ, 1/16W |
| | D2901 | EMZ6.8N | ZENER DIODE | | R2603 | NRSA6AJ-472W | MG RESISTOR 4.7kΩ, 1/16W |
| | D2902 | EMZ6.8N | ZENER DIODE | | R2604 | NRSA6AJ-472W | MG RESISTOR 4.7kΩ, 1/16W |
| | D2903 | EMZ6.8N | ZENER DIODE | | R2605 | NRSA6AJ-682W | MG RESISTOR 6.8kΩ, 1/16W |
| | R1151 | NRSA6AJ-302W | MG RESISTOR 3kΩ, 1/16W | | R2606 | NRSA6AJ-682W | MG RESISTOR 6.8kΩ, 1/16W |
| | R2001 | NRSA6AJ-471W | MG RESISTOR 470Ω, 1/16W | | R2607 | NRSA6AJ-332W | MG RESISTOR 3.3kΩ, 1/16W |
| | R2101 | NRSA6AJ-471W | MG RESISTOR 470Ω, 1/16W | | R2609 | NRSA6AJ-472W | MG RESISTOR 4.7kΩ, 1/16W |
| | R2102 | NRSA6AJ-471W | MG RESISTOR 470Ω, 1/16W | | R2610 | NRSA6AJ-472W | MG RESISTOR 4.7kΩ, 1/16W |
| | R2103 | NRSA6AJ-0R0W | MG RESISTOR 0Ω, 1/16W | | R2611 | NRSA6AJ-472W | MG RESISTOR 4.7kΩ, 1/16W |
| | R2104 | NRSA6AJ-0R0W | MG RESISTOR 0Ω, 1/16W | | R2612 | NRSA6AJ-472W | MG RESISTOR 4.7kΩ, 1/16W |
| | R2105 | NRSA6AJ-0R0W | MG RESISTOR 0Ω, 1/16W | | R2613 | NRSA6AJ-332W | MG RESISTOR 3.3kΩ, 1/16W |
| | R2151 | NRSA6AJ-471W | MG RESISTOR 470Ω, 1/16W | | R2614 | NRSA6AJ-332W | MG RESISTOR 3.3kΩ, 1/16W |
| | R2152 | NRSA6AJ-471W | MG RESISTOR 470Ω, 1/16W | | R2615 | NRSA6AJ-123W | MG RESISTOR 12kΩ, 1/16W |
| | R2153 | NRSA6AJ-0R0W | MG RESISTOR 0Ω, 1/16W | | R2616 | NRSA6AJ-123W | MG RESISTOR 12kΩ, 1/16W |
| | R2154 | NRSA6AJ-0R0W | MG RESISTOR 0Ω, 1/16W | | R2617 | NRSA6AJ-333W | MG RESISTOR 33kΩ, 1/16W |
| | R2157 | NRSA6AJ-0R0W | MG RESISTOR 0Ω, 1/16W | | R2618 | NRSA6AJ-333W | MG RESISTOR 33kΩ, 1/16W |
| | R2158 | NRSA6AJ-332W | MG RESISTOR 3.3kΩ, 1/16W | | R2619 | NRSA6AJ-153W | MG RESISTOR 15kΩ, 1/16W |
| | R2159 | NRSA6AJ-564W | MG RESISTOR 560kΩ, 1/16W | | R2620 | NRSA6AJ-153W | MG RESISTOR 15kΩ, 1/16W |
| | R2160 | NRSA6AJ-564W | MG RESISTOR 560kΩ, 1/16W | | R2621 | NRSA6AJ-153W | MG RESISTOR 15kΩ, 1/16W |
| | R2161 | NRSA6AJ-103W | MG RESISTOR 10kΩ, 1/16W | | R2622 | NRSA6AJ-153W | MG RESISTOR 15kΩ, 1/16W |
| | R2162 | NRSA6AJ-103W | MG RESISTOR 10kΩ, 1/16W | | R2625 | NRSA6AJ-103W | MG RESISTOR 10kΩ, 1/16W |
| | R2201 | NRSA6AJ-103W | MG RESISTOR 10kΩ, 1/16W | | R2626 | NRSA6AJ-103W | MG RESISTOR 10kΩ, 1/16W |
| | R2202 | NRSA6AJ-103W | MG RESISTOR 10kΩ, 1/16W | | R2627 | NRSA6AJ-102W | MG RESISTOR 1kΩ, 1/16W |
| | R2206 | NRSA6AJ-472W | MG RESISTOR 4.7kΩ, 1/16W | | R2628 | NRSA6AJ-102W | MG RESISTOR 1kΩ, 1/16W |
| | R2209 | NRSA6AJ-2R7W | MG RESISTOR 2.7Ω, 1/16W | | R2903 | NRSA6AJ-103W | MG RESISTOR 10kΩ, 1/16W |
| | R2210 | NRSA6AJ-2R7W | MG RESISTOR 2.7Ω, 1/16W | | R2905 | NRSA6AJ-102W | MG RESISTOR 1kΩ, 1/16W |
| | R2211 | NRSA6AJ-0R0W | MG RESISTOR 0Ω, 1/16W | | R2906 | NRSA6AJ-103W | MG RESISTOR 10kΩ, 1/16W |
| | R2212 | NRSA6AJ-472W | MG RESISTOR 4.7kΩ, 1/16W | | R2907 | NRSA6AJ-473W | MG RESISTOR 47kΩ, 1/16W |
| | R2213 | NRSA6AJ-823W | MG RESISTOR 82kΩ, 1/16W | | R2908 | NRSA6AJ-473W | MG RESISTOR 47kΩ, 1/16W |
| | R2214 | NRSA6AJ-392W | MG RESISTOR 3.9kΩ, 1/16W | | R2919 | NRSA6AJ-105W | MG RESISTOR 1MΩ, 1/16W |
| | R2215 | NRSA6AJ-0R0W | MG RESISTOR 0Ω, 1/16W | | R2920 | NRSA6AJ-105W | MG RESISTOR 1MΩ, 1/16W |
| | R2218 | NRSA6AJ-103W | MG RESISTOR 10kΩ, 1/16W | | R4804 | NRSA6AJ-564W | MG RESISTOR 560kΩ, 1/16W |
| | R2219 | NRSA6AJ-102W | MG RESISTOR 1kΩ, 1/16W | | R4805 | NRSA6AJ-103W | MG RESISTOR 10kΩ, 1/16W |
| | R2220 | NRSA6AJ-102W | MG RESISTOR 1kΩ, 1/16W | | R4806 | NRSA6AJ-683W | MG RESISTOR 68kΩ, 1/16W |
| | R2223 | NRSA6AJ-0R0W | MG RESISTOR 0Ω, 1/16W | | R4807 | NRSA6AJ-683W | MG RESISTOR 68kΩ, 1/16W |
| | R2224 | NRSA6AJ-0R0W | MG RESISTOR 0Ω, 1/16W | | R4808 | NRSA6AJ-243W | MG RESISTOR 24kΩ, 1/16W |
| | R2225 | NRSA6AJ-0R0W | MG RESISTOR 0Ω, 1/16W | | R4809 | NRSA6AJ-331W | MG RESISTOR 330Ω, 1/16W |
| | R2226 | NRSA6AJ-0R0W | MG RESISTOR 0Ω, 1/16W | | R4810 | NRSA6AJ-103W | MG RESISTOR 10kΩ, 1/16W |
| | R2301 | NRSA6AJ-560W | MG RESISTOR 56Ω, 1/16W | | R4811 | NRSA6AJ-564W | MG RESISTOR 560kΩ, 1/16W |
| | R2302 | NRSA6AJ-560W | MG RESISTOR 56Ω, 1/16W | | R4812 | NRSA6AJ-153W | MG RESISTOR 15kΩ, 1/16W |
| | R2303 | NRSA6AJ-0R0W | MG RESISTOR 0Ω, 1/16W | | R4814 | NRSA6AJ-105W | MG RESISTOR 1MΩ, 1/16W |
| | R2305 | NRSA6AJ-183W | MG RESISTOR 18kΩ, 1/16W | | R4815 | NRSA6AJ-472W | MG RESISTOR 4.7kΩ, 1/16W |
| | R2306 | NRSA6AJ-183W | MG RESISTOR 18kΩ, 1/16W | | R4816 | NRSA6AJ-105W | MG RESISTOR 1MΩ, 1/16W |
| | R2307 | NRSA6AJ-183W | MG RESISTOR 18kΩ, 1/16W | | R4817 | NRSA6AJ-472W | MG RESISTOR 4.7kΩ, 1/16W |
| | R2308 | NRSA6AJ-183W | MG RESISTOR 18kΩ, 1/16W | | R4818 | NRSA6AJ-103W | MG RESISTOR 10kΩ, 1/16W |
| | R2309 | NRSA6AJ-184W | MG RESISTOR 180kΩ, 1/16W | | R4819 | NRSA6AJ-103W | MG RESISTOR 10kΩ, 1/16W |
| | R2310 | NRSA6AJ-184W | MG RESISTOR 180kΩ, 1/16W | | R4820 | NRSA6AJ-104W | MG RESISTOR 100kΩ, 1/16W |
| | R2311 | NRSA6AJ-473W | MG RESISTOR 47kΩ, 1/16W | | R4821 | NRSA6AJ-104W | MG RESISTOR 100kΩ, 1/16W |
| | R2312 | NRSA6AJ-473W | MG RESISTOR 47kΩ, 1/16W | | R4822 | NRSA6AJ-473W | MG RESISTOR 47kΩ, 1/16W |
| | R2313 | NRSA6AJ-473W | MG RESISTOR 47kΩ, 1/16W | | R4823 | NRSA6AJ-102W | MG RESISTOR 1kΩ, 1/16W |
| | R2314 | NRSA6AJ-473W | MG RESISTOR 47kΩ, 1/16W | | R4824 | NRSA6AJ-472W | MG RESISTOR 4.7kΩ, 1/16W |
| | R2325 | NRSA6AJ-104W | MG RESISTOR 100kΩ, 1/16W | | R4825 | NRSA6AJ-222W | MG RESISTOR 2.2kΩ, 1/16W |
| | R2326 | NRSA6AJ-104W | MG RESISTOR 100kΩ, 1/16W | | R4826 | NRSA6AJ-473W | MG RESISTOR 47kΩ, 1/16W |
| | R2327 | NRSA6AJ-102W | MG RESISTOR 1kΩ, 1/16W | | R4828 | NRSA6AJ-183W | MG RESISTOR 18kΩ, 1/16W |
| | R2328 | NRSA6AJ-682W | MG RESISTOR 6.8kΩ, 1/16W | | R4829 | NRSA6AJ-122W | MG RESISTOR 1.2kΩ, 1/16W |
| | R2402 | NRSA6AJ-473W | MG RESISTOR 47kΩ, 1/16W | | R4830 | NRSA6AJ-222W | MG RESISTOR 2.2kΩ, 1/16W |
| | R2403 | NRSA6AJ-473W | MG RESISTOR 47kΩ, 1/16W | | R4831 | NRSA6AJ-473W | MG RESISTOR 47kΩ, 1/16W |
| | R2404 | NRSA6AJ-332W | MG RESISTOR 3.3kΩ, 1/16W | | R4832 | NRSA6AJ-333W | MG RESISTOR 33kΩ, 1/16W |
| | R2405 | NRSA6AJ-822W | MG RESISTOR 8.2kΩ, 1/16W | | R4833 | NRSA6AJ-104W | MG RESISTOR 100kΩ, 1/16W |

| # | △ REF No. | PART No. | PART NAME, DESCRIPTION | # | △ REF No. | PART No. | PART NAME, DESCRIPTION |
|-------|-----------|----------------|-------------------------|-------|-----------|--------------|------------------------|
| R4834 | | NRSA6AJ-104W | MG RESISTOR 100kΩ,1/16W | C2308 | | NCB30JK-105X | CAPACITOR 1μF,6.3V |
| R4836 | | NRSA6AJ-561W | MG RESISTOR 560Ω,1/16W | C2311 | | NCBA1AK-104W | CAPACITOR 0.1μF,10V |
| R4841 | | NRSA6AJ-103W | MG RESISTOR 10kΩ,1/16W | C2312 | | NCB30JK-105X | CAPACITOR 1μF,6.3V |
| R4842 | | NRSA6AJ-103W | MG RESISTOR 10kΩ,1/16W | C2402 | | NBLJ0JM-106X | T CAPACITOR 10μF,6.3V |
| R4848 | | NRSA6AJ-101W | MG RESISTOR 100Ω,1/16W | C2405 | | NBE20JM-106X | T CAPACITOR 10μF,6.3V |
| R4856 | | NRSA63J-6R8X | MG RESISTOR 6.8Ω,1/16W | C2406 | | NBE40JM-476X | T CAPACITOR 47μF,6.3V |
| R4857 | | NRSA63J-6R8X | MG RESISTOR 6.8Ω,1/16W | C2603 | | NCBA1AK-333W | CAPACITOR 0.033μF,10V |
| R4858 | | NRSA6AJ-333W | MG RESISTOR 33kΩ,1/16W | C2604 | | NCBA1AK-333W | CAPACITOR 0.033μF,10V |
| R4862 | | NRSA63J-6R8X | MG RESISTOR 6.8Ω,1/16W | C2605 | | NCBA1CK-153W | CAPACITOR 0.015μF,16V |
| R4863 | | NRSA63J-6R8X | MG RESISTOR 6.8Ω,1/16W | C2606 | | NCBA1CK-153W | CAPACITOR 0.015μF,16V |
| R4864 | | NRSA6AJ-102W | MG RESISTOR 1kΩ,1/16W | C2607 | | NBEJ0JM-475X | T CAPACITOR 4.7μF,6.3V |
| R4865 | | NRSA6AJ-102W | MG RESISTOR 1kΩ,1/16W | C2608 | | NBEJ0JM-475X | T CAPACITOR 4.7μF,6.3V |
| R4866 | | NRSA6AJ-102W | MG RESISTOR 1kΩ,1/16W | C2609 | | NCB31CK-273X | CAPACITOR 0.027μF,16V |
| R4867 | | NRSA6AJ-102W | MG RESISTOR 1kΩ,1/16W | C2610 | | NCB31CK-273X | CAPACITOR 0.027μF,16V |
| R4868 | | NRSA6AJ-101W | MG RESISTOR 100Ω,1/16W | C2613 | | NCB31CK-333X | CAPACITOR 0.033μF,16V |
| R4870 | | NRSA6AJ-271W | MG RESISTOR 270Ω,1/16W | C2614 | | NCB31CK-333X | CAPACITOR 0.033μF,16V |
| R9901 | | NRSA6AJ-104W | MG RESISTOR 100kΩ,1/16W | C2615 | | NCBA1HK-332W | CAPACITOR 0.0033μF,50V |
| R9902 | | NRSA6AJ-153W | MG RESISTOR 15kΩ,1/16W | C2616 | | NCBA1HK-332W | CAPACITOR 0.0033μF,50V |
| R9903 | | NRSA6AJ-183W | MG RESISTOR 18kΩ,1/16W | C2619 | | NCBA1HK-152W | CAPACITOR 0.0015μF,50V |
| R9904 | | NRSA6AJ-273W | MG RESISTOR 27kΩ,1/16W | C2620 | | NCBA1HK-152W | CAPACITOR 0.0015μF,50V |
| C1151 | | NBE90JM-106X | T CAPACITOR 10μF,6.3V | C2621 | | NCBA1CK-103W | CAPACITOR 0.01μF,16V |
| C1152 | | NCB21EK-683X-R | CAPACITOR 0.068μF,25V | C2622 | | NCBA1CK-103W | CAPACITOR 0.01μF,16V |
| C2101 | | NCB30JK-105X | CAPACITOR 1μF,6.3V | C2623 | | NCB30JK-105X | CAPACITOR 1μF,6.3V |
| C2102 | | NCB30JK-105X | CAPACITOR 1μF,6.3V | C2624 | | NCB30JK-105X | CAPACITOR 1μF,6.3V |
| C2103 | | NCBA1HK-222W | CAPACITOR 0.0022μF,50V | C2625 | | NCB31CK-104X | CAPACITOR 0.1μF,16V |
| C2104 | | NCBA1HK-222W | CAPACITOR 0.0022μF,50V | C2626 | | NCB31CK-104X | CAPACITOR 0.1μF,16V |
| C2105 | | NBEJ0JM-475X | T CAPACITOR 4.7μF,6.3V | C2627 | | NBE20GM-336X | T CAPACITOR 33μF,4.0V |
| C2106 | | NCBA1AK-104W | CAPACITOR 0.1μF,10V | C2630 | | NCBA1CK-153W | CAPACITOR 0.015μF,16V |
| C2107 | | NCBA1AK-104W | CAPACITOR 0.1μF,10V | C2631 | | NCBA1CK-153W | CAPACITOR 0.015μF,16V |
| C2108 | | NBEJ0GM-106X | T CAPACITOR 10μF,4.0V | C2901 | | NCBA1CK-103W | CAPACITOR 0.01μF,16V |
| C2151 | | NCB30JK-105X | CAPACITOR 1μF,6.3V | C2904 | | NCBA1CK-103W | CAPACITOR 0.01μF,16V |
| C2152 | | NCB30JK-105X | CAPACITOR 1μF,6.3V | C4803 | | NBLJ0JM-106X | T CAPACITOR 10μF,6.3V |
| C2153 | | NCBA1HK-222W | CAPACITOR 0.0022μF,50V | C4804 | | NCFA1AZ-104W | CAPACITOR 0.1μF,10V |
| C2154 | | NCBA1HK-222W | CAPACITOR 0.0022μF,50V | C4805 | | NCFA1AZ-104W | CAPACITOR 0.1μF,10V |
| C2155 | | NBEJ0JM-475X | T CAPACITOR 4.7μF,6.3V | C4806 | | NCFA1AZ-104W | CAPACITOR 0.1μF,10V |
| C2156 | | NCBA1AK-104W | CAPACITOR 0.1μF,10V | C4808 | | NCB30JK-105X | CAPACITOR 1μF,6.3V |
| C2157 | | NCBA1AK-104W | CAPACITOR 0.1μF,10V | C4809 | | NCFA1AZ-104W | CAPACITOR 0.1μF,10V |
| C2163 | | NCB30JK-105X | CAPACITOR 1μF,6.3V | C4810 | | NCFA1HZ-103W | CAPACITOR 0.01μF,50V |
| C2164 | | NCB30JK-105X | CAPACITOR 1μF,6.3V | C4811 | | NCFA1HZ-103W | CAPACITOR 0.01μF,50V |
| C2201 | | NCB30JK-105X | CAPACITOR 1μF,6.3V | C4812 | | NCFA1AZ-104W | CAPACITOR 0.1μF,10V |
| C2202 | | NCB30JK-105X | CAPACITOR 1μF,6.3V | C4813 | | NCFA1AZ-104W | CAPACITOR 0.1μF,10V |
| C2205 | | NCBA1AK-104W | CAPACITOR 0.1μF,10V | C4814 | | NCFA1AZ-104W | CAPACITOR 0.1μF,10V |
| C2206 | | NCBA1AK-104W | CAPACITOR 0.1μF,10V | C4815 | | NCB31HK-152X | CAPACITOR 0.0015μF,50V |
| C2207 | | NBLJ0JM-106X | T CAPACITOR 10μF,6.3V | C4819 | | NCF31CZ-104X | CAPACITOR 0.1μF,16V |
| C2208 | | NBLJ0JM-106X | T CAPACITOR 10μF,6.3V | C4851 | | NBLJ0JM-106X | T CAPACITOR 10μF,6.3V |
| C2210 | | NBEJ0JM-475X | T CAPACITOR 4.7μF,6.3V | C4852 | | NCFA1AZ-104W | CAPACITOR 0.1μF,10V |
| C2211 | | NBLJ0JM-106X | T CAPACITOR 10μF,6.3V | C4853 | | NBLJ1AM-475X | T CAPACITOR 4.7μF,10V |
| C2212 | | NCBA1AK-104W | CAPACITOR 0.1μF,10V | C4854 | | NBE20JM-106X | T CAPACITOR 10μF,6.3V |
| C2213 | | NBEE0JM-476X | T CAPACITOR 47μF,6.3V | C4855 | | NCB31CK-104X | CAPACITOR 0.1μF,16V |
| C2214 | | NBLJ0JM-106X | T CAPACITOR 10μF,6.3V | C4858 | | NDCA1HJ-680W | CAPACITOR 68pF,50V |
| C2215 | | NCB31CK-104X | CAPACITOR 0.1μF,16V | C4859 | | NCBA1AK-473W | CAPACITOR 0.047μF,10V |
| C2216 | | NCB31CK-104X | CAPACITOR 0.1μF,16V | C4860 | | NCBA1AK-473W | CAPACITOR 0.047μF,10V |
| C2217 | | NCBA1CK-103W | CAPACITOR 0.01μF,16V | C4861 | | NCBA1HK-102W | CAPACITOR 0.001μF,50V |
| C2219 | | NCB30JK-105X | CAPACITOR 1μF,6.3V | C4862 | | NCBA1HK-102W | CAPACITOR 0.001μF,50V |
| C2220 | | NRSA6AJ-0R0W | MG RESISTOR 0Ω,1/16W | C4864 | | NBLJ0JM-106X | T CAPACITOR 10μF,6.3V |
| C2221 | | NCB30JK-105X | CAPACITOR 1μF,6.3V | C4865 | | NCBA1AK-104W | CAPACITOR 0.1μF,10V |
| C2222 | | NCB30JK-105X | CAPACITOR 1μF,6.3V | L1151 | | NQR0265-001X | FERRITE BEAD |
| C2301 | | NBLJ0JM-106X | T CAPACITOR 10μF,6.3V | L2101 | | NQL402M-100X | COIL 10μH |
| C2303 | | NCB30JK-105X | CAPACITOR 1μF,6.3V | L2402 | | NQL402M-100X | COIL 10μH |
| C2304 | | NCB30JK-105X | CAPACITOR 1μF,6.3V | L2601 | | NRSA63J-0R0X | MG RESISTOR 0Ω,1/16W |
| C2305 | | NCB30JK-105X | CAPACITOR 1μF,6.3V | L2602 | | NRSA63J-0R0X | MG RESISTOR 0Ω,1/16W |
| C2306 | | NCB30JK-105X | CAPACITOR 1μF,6.3V | L2603 | | NRSA63J-0R0X | MG RESISTOR 0Ω,1/16W |
| C2307 | | NCB30JK-105X | CAPACITOR 1μF,6.3V | L2901 | | NRSA63J-0R0X | MG RESISTOR 0Ω,1/16W |

SECTION 6 AC POWER ADAPTER (AA-V100EG/EK)

| # | △ REF No. | PART No. | PART NAME, DESCRIPTION | |
|--------|-----------|---------------|---------------------------|----------|
| L2902 | | NRSA63J-0R0X | MG RESISTOR | 0Ω,1/16W |
| L2903 | | NRSA63J-0R0X | MG RESISTOR | 0Ω,1/16W |
| L2904 | | NRSA63J-0R0X | MG RESISTOR | 0Ω,1/16W |
| L2905 | | NRSA63J-0R0X | MG RESISTOR | 0Ω,1/16W |
| L2906 | | NRSA6AJ-0R0W | MG RESISTOR | 0Ω,1/16W |
| L2907 | | NRSA63J-0R0X | MG RESISTOR | 0Ω,1/16W |
| L2908 | | NRSA63J-0R0X | MG RESISTOR | 0Ω,1/16W |
| L2909 | | NRSA63J-0R0X | MG RESISTOR | 0Ω,1/16W |
| L2910 | | NRSA63J-0R0X | MG RESISTOR | 0Ω,1/16W |
| L2911 | | NRSA63J-0R0X | MG RESISTOR | 0Ω,1/16W |
| L4802 | | NQL302N-100X | COIL | 10μH |
| L4851 | | NQR0129-002X | FERRITE BEAD | |
| L4852 | | NQL38DK-100X | COIL | 10μH |
| L4853 | | NQL38DK-100X | COIL | 10μH |
| SW2001 | | NSW0133-001X | PUSH SWITCH,VF SW | |
| S9901 | | NSW0145-001X | TACT SWITCH,BACK LIGHT | |
| S9902 | | NSW0145-001X | TACT SWITCH,EXPOSURE | |
| S9903 | | NSW0145-001X | TACT SWITCH,FOCUS | |
| S9904 | | NSW0099-001X | SLIDE SWITCH,VIDEO/MEMORY | |
| CN201 | | QGB0405M1-C0X | CONNECTOR | |
| CN202 | | QGF0517F1-16X | FPC CONNECTOR | |
| CN203 | | QGA1001F1-04X | CONNECTOR | |
| CN204 | | QGF0517F2-20X | FPC CONNECTOR | |
| CN205 | | QGF0517F2-24X | FPC CONNECTOR | |
| OT1 | | LY43197-001A | SHEET(TARRY) | |
| OT2 | | LY30029-0P3A | SPACER(A) | |
| OT3 | | LY30029-0P8A | SPACER(A),X2 | |
| OT4 | | LY43161-001A | SHEET(AU-OPPWB) | |
| OT5 | | LY30017-029A | SPACER-B,B,C,D | |

BOTTOM BOARD ASSEMBLY <03>

| | | | | |
|--------|--|---------------|-------------------|-------------|
| PW1 | | YB10329A1-02 | BOTTOM BOARD ASSY | |
| IC1801 | | RS-151-X | IC(PHOTO SENSOR) | |
| R1801 | | NRSA63J-470X | MG RESISTOR | 47Ω,1/16W |
| R2801 | | NRSA6AJ-473W | MG RESISTOR | 47kΩ,1/16W |
| R2802 | | NRSA6AJ-473W | MG RESISTOR | 47kΩ,1/16W |
| R2803 | | NRSA6AJ-473W | MG RESISTOR | 47kΩ,1/16W |
| R2804 | | NRSA6AJ-473W | MG RESISTOR | 47kΩ,1/16W |
| R2805 | | NRSA6AJ-473W | MG RESISTOR | 47kΩ,1/16W |
| R2806 | | NRSA63J-0R0X | MG RESISTOR | 0Ω,1/16W |
| R2807 | | NRSA6AJ-473W | MG RESISTOR | 47kΩ,1/16W |
| △ B301 | | QAB0040-001 | LI BATTERY | |
| C2801 | | NCB31HK-102X | CAPACITOR | 0.001μF,50V |
| C2802 | | NCB31HK-102X | CAPACITOR | 0.001μF,50V |
| L2801 | | NQR0251-004X | FERRITE BEAD | |
| L2802 | | NQR0251-004X | FERRITE BEAD | |
| L2803 | | NQR0251-004X | FERRITE BEAD | |
| J301 | | QNS0078-001 | 3.5 JACK | |
| CN301 | | QGB0404L1-50X | CONNECTOR | |
| CN302 | | LY32206-001B | MULTI.CONNECTOR | |
| CN303 | | NNZ0055-001X | SD CARD CONNECTOR | |
| OT1 | | LY30029-0N2A | SPACER(A) | |
| OT2 | | LY30029-0N5A | SPACER(A) | |
| OT3 | | LY30029-0N6A | SPACER(A) | |
| OT4 | | LY30017-023A | SPACER-B | |
| OT5 | | LY30029-0P7A | SPACER(A) | |
| OT6 | | LY30029-0L2A | SPACER(A) | |
| OT7 | | LY30029-0K4A | SPACER(A) | |
| SD1 | | LY43222-001B | S.SHEET(B.PWB) | |

| # | △ REF No. | PART No. | PART NAME, DESCRIPTION | |
|------------------------------------------|-----------|---------------|------------------------|-------------|
| ***** | | | | |
| MONITOR BOARD ASSEMBLY <04> | | | | |
| PW | | YB20907A-01 | MONITOR BOARD ASSY | |
| Q7101 | | UMD3N | TRANSISTOR | |
| Q7102 | | 2SC4617/RS/-X | TRANSISTOR | |
| Q7103 | | XP6501 | TRANSISTOR | |
| Q7104 | | XP6501 | TRANSISTOR | |
| D7201 | | UDZ2.7B | ZENER DIODE | |
| R7101 | | NRSA63D-562X | MG RESISTOR | 5.6kΩ,1/16W |
| R7102 | | NRSA63D-151X | MG RESISTOR | 150Ω,1/16W |
| R7104 | | NRSA63D-240X | MG RESISTOR | 24Ω,1/16W |
| R7105 | | NRSA63D-240X | MG RESISTOR | 24Ω,1/16W |
| R7108 | | NRSA63J-0R0X | MG RESISTOR | 0Ω,1/16W |
| R7201 | | NRSA63J-103X | MG RESISTOR | 10kΩ,1/16W |
| C7101 | | NCB21CK-104X | CAPACITOR | 0.1μF,16V |
| C7102 | | NCB21CK-104X | CAPACITOR | 0.1μF,16V |
| C7201 | | NCB21CK-104X | CAPACITOR | 0.1μF,16V |
| C7202 | | NCB21CK-105X | CAPACITOR | 1μF,16V |
| C7203 | | NCB21CK-105X | CAPACITOR | 1μF,16V |
| C7205 | | NBE81AM-106X | T CAPACITOR | 10μF,10V |
| CN401 | | QGF0304F1-33X | FFC/FPC CONNECTOR | |
| CN402 | | QGF0517F1-24X | FPC CONNECTOR | |

CCD BOARD ASSEMBLY <05>

| | | | | |
|-------|--|---------------|----------------|--------------|
| PW | | YB20906A-01 | CCD BOARD ASSY | |
| Q5001 | | 2SC3931/CD/-X | TRANSISTOR | |
| Q5002 | | 2SC4081/RS/-X | TRANSISTOR | |
| R5001 | | NRSA63J-472X | MG RESISTOR | 4.7kΩ,1/16W |
| R5002 | | NRSA63J-0R0X | MG RESISTOR | 0Ω,1/16W |
| R5003 | | NRSA63J-104X | MG RESISTOR | 100kΩ,1/16W |
| R5005 | | NRSA63J-103X | MG RESISTOR | 10kΩ,1/16W |
| C5001 | | NCB31CK-104X | CAPACITOR | 0.1μF,16V |
| C5002 | | NBP41DM-106X | T CAPACITOR | 10μF,20V |
| C5003 | | NCB31CK-104X | CAPACITOR | 0.1μF,16V |
| C5004 | | NBE21AM-106X | T CAPACITOR | 10μF,10V |
| C5005 | | NCB31CK-104X | CAPACITOR | 0.1μF,16V |
| C5006 | | NCB21EK-104X | CAPACITOR | 0.1μF,25V |
| C5007 | | NCB31HK-222X | CAPACITOR | 0.0022μF,50V |
| C5011 | | NCB21CK-105X | CAPACITOR | 1μF,16V |

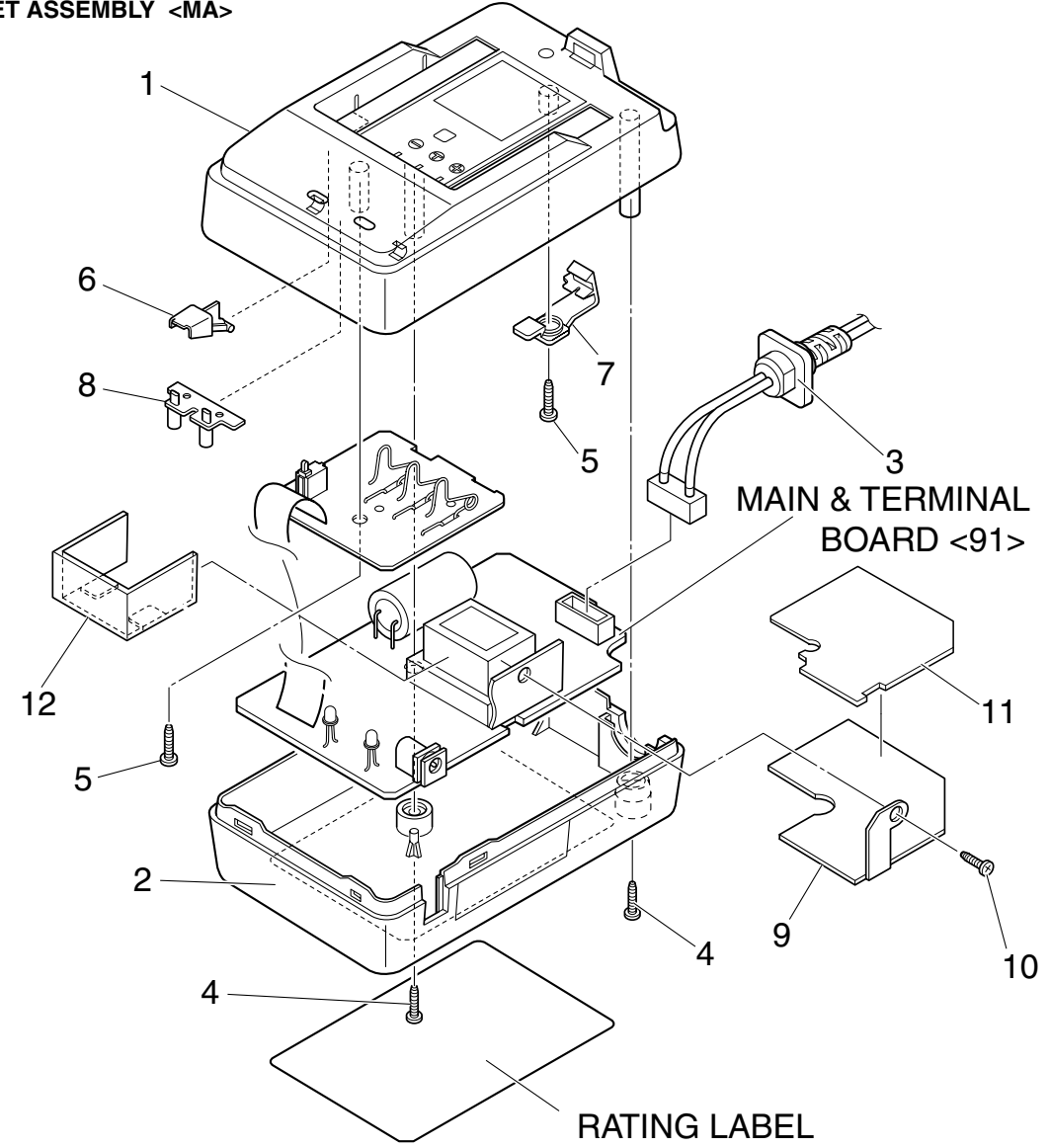
EJECT BOARD ASSEMBLY <06>

| | | | | |
|-----|--|--------------|--------------------------------------|--|
| PW2 | | YB10329A2 | EJECT BOARD ASSY | |
| S1 | | NSW0095-001X | DETECT SWITCH,EJECT SW | |
| WR1 | | WJM0209-001B | E-SI C WIRE C-F,EJECT PWB-MAIN CN108 | |

SAFETY PRECAUTION

Parts identified by the △ symbol are critical for safety. Replace only with specified part numbers.

6.1 CABINET ASSEMBLY <MA>



| # | △ REF No. | PART No. | PART NAME, DESCRIPTION |
|-------|-----------|----------|------------------------|
| ***** | | | |

CABINET ASSEMBLY <MA>

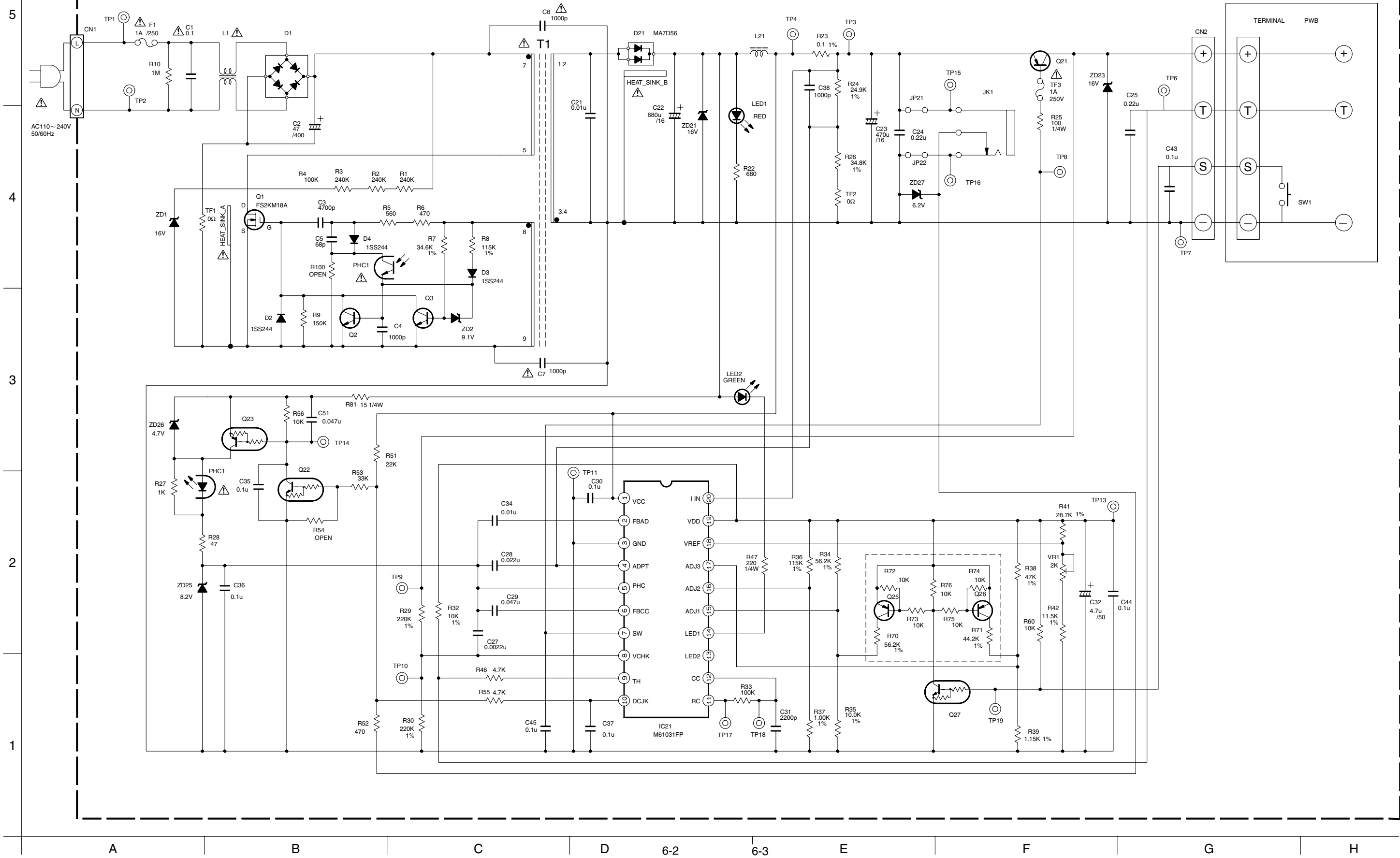
| | | | |
|------|--|--------------|----------------------|
| △ 1 | | LY32286-002A | UPPER CASE |
| △ 2 | | PTY20483-024 | LOWER CASE |
| △ 3 | | YQ10531-006 | AC POWER CORD,for EG |
| △ | | PTY20080-034 | AC POWER CORD,for EK |
| 4 | | YQ10531-011 | TAP SCREW, X2 LOWER |
| 5 | | PTY20545-055 | TAP SCREW, X2 |
| 6 | | PTY20754-052 | SWITCH COVER |
| 7 | | PTY20754-054 | LOCK LEVER |
| 8 | | PTY20754-055 | LENS |
| △ 9 | | PTY20483-077 | INSULATOR |
| 10 | | PTY20483-079 | SCREW |
| △ 11 | | PTY20483-076 | SHIELD PLATE |
| △ 12 | | PTY20754-051 | INSULATOR B for EG |

6.2 SCHEMATIC DIAGRAM

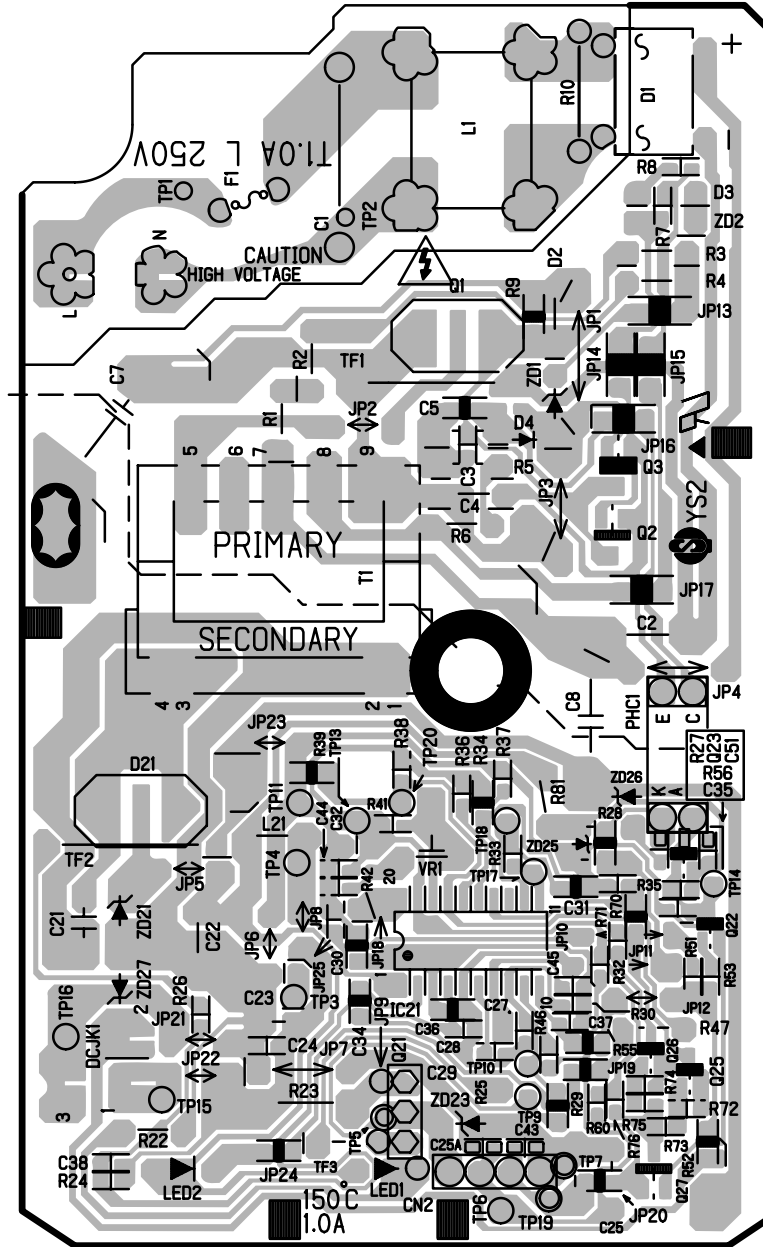
NOTE: when ordering parts, be sure to order according to the Part Number indicated in the Parts List.

Safety precautions
The components identified by the symbol \triangle are critical for safety. For continued safety, replace safety critical components only with manufacturer's recommended parts.

9 1 MAIN&TERMINAL



6.3 CIRCUIT BOARD



6.4 ELECTRICAL PARTS LIST

| # | △ REF No. | PART No. | PART NAME, DESCRIPTION |
|------------------------------------------------------|-----------|----------------|-----------------------------|
| ***** | | | |
| MAIN & TERMINAL BOARD ASSEMBLY <91> | | | |
| △ | PW1 | PTY20754-503 | MAIN & TERMINAL BOARD ASSY |
| | IC21 | M61031FP | Charge control IC 20pin SOP |
| | Q1 | FS2KM18A | MOS FET |
| | Q2 | 2SD2226KT146 | TRANSISTER |
| | Q3 | 2SD2226KT146 | TRANSISTER |
| | Q21 | 2SB1592 | TRANSISTER |
| | Q22 | DTC114YUA-X | DIG.TRANSISTOR |
| | Q23 | DTA114YUA-X | DIG.TRANSISTOR |
| | Q25 | 2SA1576A/QR/-X | TRANSISTOR |
| | Q26 | 2SA1576A/QR/-X | TRANSISTOR |
| | Q27 | UN2211TX | DIG.TRANSISTOR |
| | D1 | S1WBA60 | B. DIODE 600V 1A |
| | D2 | 1SS244T77 | DIODE 200V 0.2A |
| | D3 | 1SS244T77 | DIODE 200V 0.2A |
| | D4 | 1SS244T77 | DIODE 200V 0.2A |
| | D21 | MA7D56 | DIODE 60V 10A |
| | ZD1 | MTZJ16B-T2 | ZENER DIODE 16V 500mW |
| | ZD2 | MTZJ9.1B | ZENER DIODE 9.1V 500mW |
| | ZD21 | MTZJ16T-77 | ZENER DIODE 16V 500mW |
| | ZD23 | MTZJ16T-77 | ZENER DIODE 16V 500mW |
| | ZD25 | MA4082N/M/-T2 | ZENER DIODE 8.2V 500mW |
| | ZD26 | MA4047NM | ZENER DIODE 4.7V 500mW |
| | ZD27 | MTZJ6.2B-T2 | ZENER DIODE 6.2V 500mW |
| | LED1 | YQ10531-540 | LED RED POWER |
| | LED2 | YQ10531-542 | LED GREEN CHARGE |
| | R1 | QRE141J-244Y | RESISTOR 240KΩ 1/4W |
| | R2 | QRE141J-244Y | RESISTOR 240KΩ 1/4W |
| | R3 | QRE141J-244Y | RESISTOR 240KΩ 1/4W |
| | R4 | QRE141J-104Y | RESISTOR 100kΩ 1/4W |
| | R5 | QRE141J-561Y | RESISTOR 560Ω 1/4W |
| | R6 | QRE141J-471Y | RESISTOR 470Ω 1/4W |
| | R7 | NRSA63F-3482X | MG RESISTOR 34.8kΩ 1/16W 1% |
| | R8 | NRSA63F-1153X | MG RESISTOR 115kΩ 1/16W 1% |
| | R9 | NRSA63J-154X | MG RESISTOR 150kΩ 1/16W |
| | R10 | QRE141J-105Y | RESISTOR 1MΩ 1/4W |
| | R22 | QRE141J-681Y | RESISTOR 680Ω 1/4W |
| | R23 | QRZ0192-R10X | MF RESISTOR 0.1Ω 1W 2% |
| | R24 | NRSA63F-2492X | MG RESISTOR 24.9kΩ 1/16W 1% |
| | R25 | QRE141J-101Y | RESISTOR 100Ω 1/4W |
| | R26 | NRSA63F-3482X | MG RESISTOR 34.8kΩ 1/16W 1% |
| | R27 | NRSA63J-102X | MG RESISTOR 1kΩ 1/16W |
| | R28 | NRSA63J-470X | MG RESISTOR 47Ω 1/16W |
| | R29 | PTY20754-511 | MG RESISTOR 220kΩ 1/16W 1% |
| | R30 | PTY20754-511 | MG RESISTOR 220kΩ 1/16W 1% |
| | R32 | PTY20754-512 | MG RESISTOR 10kΩ 1/16W 1% |
| | R33 | NRSA63J-104X | MG RESISTOR 100kΩ 1/16W |
| | R34 | NRSA63F-5622X | MG RESISTOR 56.2kΩ 1/16W 1% |
| | R35 | PTY20754-512 | MG RESISTOR 10kΩ 1/16W 1% |
| | R36 | NRSA63F-1153X | MG RESISTOR 115kΩ 1/16W 1% |
| | R37 | PTY20754-513 | MG RESISTOR 1.00kΩ 1/16W 1% |
| | R38 | PTY20754-514 | MG RESISTOR 47kΩ 1/16W 1% |
| | R39 | NRSA63F-1151X | MG RESISTOR 1.15kΩ 1/16W 1% |
| | R41 | NRSA63F-2872X | MG RESISTOR 28.7kΩ 1/16W 1% |
| | R42 | NRSA63F-1152X | MG RESISTOR 11.5kΩ 1/16W 1% |
| | R46 | NRSA63J-472X | MG RESISTOR 4.7kΩ 1/16W |

| # | △ REF No. | PART No. | PART NAME, DESCRIPTION |
|---|-----------|---------------|-----------------------------|
| | R47 | QRE141J-221Y | RESISTOR 220Ω 1/4W |
| | R51 | NRSA63J-223X | MG RESISTOR 22kΩ 1/16W |
| | R52 | NRSA63J-471X | MG RESISTOR 470Ω 1/16W |
| | R53 | NRSA63J-333X | MG RESISTOR 33kΩ 1/16W |
| | R55 | NRSA63J-473X | MG RESISTOR 47kΩ 1/16W |
| | R56 | NRSA63J-103X | MG RESISTOR 10kΩ 1/16W |
| | R60 | NRSA63J-103X | MG RESISTOR 10kΩ 1/16W |
| | R70 | NRSA63F-5622X | MG RESISTOR 56.2kΩ 1/16W 1% |
| | R71 | NRSA63F-4422X | MG RESISTOR 44.2kΩ 1/16W 1% |
| | R72 | NRSA63J-103X | MG RESISTOR 10kΩ 1/16W |
| | R73 | NRSA63J-103X | MG RESISTOR 10kΩ 1/16W |
| | R74 | NRSA63J-103X | MG RESISTOR 10kΩ 1/16W |
| | R75 | NRSA63J-103X | MG RESISTOR 10kΩ 1/16W |
| | R76 | NRSA63J-103X | MG RESISTOR 10kΩ 1/16W |
| | R81 | QRE141J-150Y | RESISTOR 15Ω 1/4W |
| △ | C1 | QFZ9072-104 | F CAPACITOR 0.1μF 275V |
| | C2 | YQ10626-402 | E CAPACITOR 47μF 400V |
| | C3 | NCB31HK-472X | CAPACITOR 4700pF 50V |
| | C4 | PTY20754-521 | F CAPACITOR 1000pF 50V |
| | C5 | NDC31HJ-680X | CAPACITOR 68pF 50V |
| △ | C7 | YQ10531-514 | CAPACITOR 1000pF 250V |
| △ | C8 | YQ10531-514 | CAPACITOR 1000pF 250V |
| | C21 | PTY10067-657 | CAPACITOR 0.01μF 250V |
| | C22 | PTY20292-321 | E CAPACITOR 680μF 16V |
| | C23 | QETL1CM-477 | E CAPACITOR 470μF 16V |
| | C24 | PTY20754-522 | CAPACITOR 0.22μF 16V |
| | C25 | QLA11HJ-224 | F CAPACITOR 0.22μF 50V |
| | C27 | NCB31HK-222X | CAPACITOR 0.0022μF 50V |
| | C28 | NCB31EK-223X | CAPACITOR 0.022μF 25V |
| | C29 | PTY20754-523 | CAPACITOR 0.047μF 25V |
| | C30 | PTY20754-524 | CAPACITOR 0.1μF 50V |
| | C31 | NCB31HK-222X | CAPACITOR 0.0022μF 50V |
| | C32 | QEHA1HM-475 | E CAPACITOR 4.7μF 50V |
| | C34 | PTY20754-525 | CAPACITOR 0.01μF 50V |
| | C35 | PTY20754-526 | CAPACITOR 0.1μF 16V |
| | C36 | PTY20754-526 | CAPACITOR 0.1μF 16V |
| | C37 | PTY20754-524 | CAPACITOR 0.1μF 50V |
| | C38 | NCB31HK-102X | CAPACITOR 0.001μF 50V |
| | C43 | PTY20754-524 | CAPACITOR 0.1μF 25V |
| | C44 | PTY20754-524 | CAPACITOR 0.1μF 25V |
| | C45 | PTY20754-524 | CAPACITOR 0.1μF 25V |
| | C51 | PTY20754-523 | CAPACITOR 0.047μF 25V |
| △ | L1 | PTY20450-401 | LINE FILTER |
| | L21 | PTY10067-703 | COIL |
| △ | PHC1 | PC123YS | PHOTO COUPLER |
| △ | T1 | PTY20754-531 | SW TRANS |
| | VR1 | PTY20483-101 | VOLUME 2kΩ |
| | JK1 | YQ21032-301 | DC JACK |
| △ | F1 | PTY20450-041 | FUSE 1A 250V |
| △ | TF3 | PTY20754-531 | THERMAL FUSE 150° 250V 1A |
| △ | HS1 | PTY20483-071 | HEAT SINK A |
| △ | HS2 | PTY20591-072 | HEAT SINK B |
| | CN1 | PTY20603-056 | CONNECTOR |
| | OT1 | PTY10067-551 | TAP SCREW,X2(HEAT SINK) |
| | SW1 | PTY20545-662 | SWITCH |
| | WR1 | PTY20591-052 | FLAT CABLE(4P) |
| | TB1 | PTY20754-053 | BATTERY TERMINAL,X3 |